

CHAPTER 31

WOOD ULTIMATE OUTSWING FRENCH DOOR

Product Information

Unit Features	31.2
NFRC Values / Net Clear Openings	31.3
Unit Measurements / Minimum and Maximum Measurement	31.4
Design Pressure / Transom Field Mulling Guidelines	31.5
Measurement Conversions Values	31.6

Elevations and Sections

Panel Hinging Configurations	31.12
Elevations: 6/6 , 6/8, 7/0 and 8/0 Heights	31.13
Elevations: 6/8, 7/0, 8/0 and Entrance Systems	31.14
Elevations: 1 Frame - 1 Sash Transom	31.15
Elevations: 1 Frame - 2 and 3 Sash Transom	31.16
Elevations: 1 Frame - 4 Sash Transom	31.17
Elevations: Direct Glaze Transom	31.18
Section Details: 4 9/16" Operating	31.19
Section Details: 4 9/16" Stationary / Sidelite	31.20
Section Details: 6 9/16" Operating	31.21
Section Details: 6 9/16" Stationary / Sidelite	31.22
Section Details: 4 9/16" In-Sash Transom and Mullion	31.23
Section Details: 6 9/16" In-Sash Transom and Mullion	31.24
Section Details: 4 9/16" and 6 9/16" Direct Glaze Transom	31.25
Section Details: 4 9/16" and 6 9/16" Jambes	31.26
Section Details: 4 9/16" and 6 9/16" Transom Jambes and Sidelites	31.27
Section Details: Divided Lite Options	31.28
Daylight Opening Conversions	31.29
Flat Panels	31.30
Raised Panels	31.31
Elevations: Standard Grille, SDL and ADL	31.32
Section Details: Construction	31.33

NOTE:

Specifications and technical data are subject to change without notice.

Allow 1/16" (2) tolerance on all measurements.

Metric measurements are shown in parenthesis.

For accessories dimensions and applications see the Accessories section of this manual.

For technical assistance about Marvin products you may call our Architectural Hotline 1-800-346-3363 or visit our website: www.Marvin.com.

WOOD ULTIMATE OUTSWING FRENCH DOOR

UNIT FEATURES

Frame:

- Interior: Pine wood interior and exterior standard. Optional: mahogany, vertical grain Douglas fir
- Frame thickness: 1 1/16" (27)
- Frame width: 4 9/16" (116)
- Fiberglass reinforced pultruded sill with water shed and weep system. Thickness: .100" (2.5). Beige color, optional: bronze color. White Oak [Mahogany] [Cherry] interior sill liner.

Panel:

- Interior: Pine wood interior and exterior standard. Optional: mahogany, vertical grain Douglas fir
- Panel thickness: 1 3/4" (44)
- Top rail and stile width: 4 3/4" (121)
- Sidelite stile width: 3" (76)
- Bottom rail height: 8 1/8" (206)
- Locking stiles contain laminated veneer lumber (LVL) core with clear pine veneers
- Removable interior vinyl glazing bead with wood glazing cap

Interior and exterior finish:

- Standard: treated bare wood Optional: white primed (pine only)

Hardware:

- Hinges: Three adjustable hinges on 6/6 and 6/8 heights; four on 7/0 and 8/0 heights. Standard finish: Satin Taupe. Optional powdercoat finish: Gold Tone, Dark Bronze, Silver Frost, White. Optional metal finish: Brass PVD, Antique Brass, Oil Rubbed Bronze, Oil Rubbed Bronze PVD, Satin Chrome, Satin Nickel PVD. Optional butt hinge, Solid Brass with non-removable pin.
- Optional lever handle set: Active, inactive and dummy: Powdercoat finishes: Satin Taupe, White, Metal finishes: Brass PVD, Antique Brass, Oil Rubbed Bronze, Oil Rubbed Bronze PVD, Satin Chrome, Satin Nickel PVD. For additional handle styles and options contact your Marvin representative.
- Locking system - active panel: Marvin exclusive concealed multi-point with stainless steel head and foot bolts activated from lever handle, keyed. Optional: Inactive panel: manual stainless steel head and foot bolts. Optional: concealed multi-point activated from lever set.

Weatherstripping:

- Weatherstrip: Head jamb and side jamb to have two sets of bulb weatherstrip maintaining contact with door panels. Color beige, optional: black. Threshold to have bulb weatherstrip maintaining contact with bottom of panel. Color: beige, optional black. Vinyl panel drip applied to bottom rail. Color beige, optional black.

Jamb Extensions:

- Jamb extensions factory applied up to 7 9/16". Other sizes shipped loose.

Wood Raised/Flat Panel Option:

- Using 4 3/4" Intermediate Rail is constructed of finger-joint, edge-glue pine core with clear, bare, pine veneer to the interior and exterior. Also option of primed.
- Wood Raised/Flat panel is constructed of medium density fiberboard (MDF) core with wood laminate veneer to interior and exterior. Available bare wood or primed interior and exterior. Alternative wood species include mahogany and vertical grain Douglas fir.

Removable interior grilles:

- Bar: Pine wood 3/4" (19) or 1 1/8" (29)
- Pattern: Rectangular, custom lite layouts available. Contact your Marvin representative.

Interior / Exterior Simulated Divided lites (SDL):

- Interior and exterior bar: 7/8" (22) or 1 1/8" (29) wide. Pine wood standard. Optional: mahogany, vertical grain Douglas fir. Finish to match panel surface
- Insulating glass units available with or without aluminum spacer in airspace
- Pattern: rectangular. Custom lite layouts available. Contact your Marvin representative

Grilles-between-the-glass (GBG):

- 11/16" (17) white contoured aluminum bar. Optional flat aluminum bar.
- Rectangular lite layout

Authentic Divided Lites (ADL):

- Bars attached to sash to create individual lites of glass
- Bar width: single glass 7/8" (22), insulating glass 1 1/2" (38)
- Standard pine. Optional: mahogany, vertical grain Douglas fir. Finish to match panel finish
- Pattern: rectangular. Custom lite layouts available. Contact your Marvin representative

Glass and Glazing:

- Door Panels: tempered insulating glass, hermetically sealed, Optional: tempered single glass
- Transoms: In-Sash and Direct Glaze Annealed insulating glass, hermetically sealed, Optional: tempered insulating glass, tempered single glass
- Glazing seal: silicone bedding, exterior
- Standard glazing: clear. Optional: Low E II with argon gas, Bronze, Gray, Reflective Bronze, Obscure, Laminated
- High Elevation: Insulating glass will include capillary tube (argon gas not included)

Accessories:

- Aluminum drip cap: Stone White, Bahama Brown, Bronze, Pebble Gray, Evergreen
- Installation brackets: 6 3/8" (162), 9 3/8" (238), 15 3/8" (390)
- Masonry brackets: 6" (152), 10" (254)
- Marvin SillGuard™

Exterior Mouldings:

- Flat casing, specify width, stucco brick mould casing, stucco flat casing, specify width. Custom wood casings available. Pine wood standard, optional; mahogany, or vertical grain Douglas fir

NOTE:

Values shown in parenthesis represent metric equivalents.

For product specifications please refer to the CSI Product Specifications, Contact your Marvin Representative.

WOOD ULTIMATE OUTSWING FRENCH DOOR

NFRC UNIT VALUES / NET CLEAR OPENINGS

NFRC Unit Values					
Glazing Type	U-Factor	R-Value	Solar Heat Gain Coefficient	Visible Light Transmittance	Energy Star
Wood Ultimate Outswing French Door Operator / Stationary					
Size Tested	39 x 79	39 x 79	39 x 79	39 x 79	
Single Glaze	0.73	1.37	0.49	0.50	-
Single Glaze with ADL	0.72	1.39	0.42	0.43	-
Single Glaze with EP	0.43	2.33	0.44	0.46	-
Single Glaze with EP and ADL	0.43	2.33	0.38	0.39	S
Single Glaze with Low E EP	0.36	2.78	0.37	0.42	NC, SC, S
Single Glaze with Low E EP and ADL	0.36	2.78	0.32	0.36	NC, SC, S
Insulating glass	0.44	2.27	0.44	0.46	-
Insulating glass - SDL	0.44	2.27	0.38	0.39	S
Insulating glass - SDL with spacer bars	0.44	2.27	0.38	0.39	S
Insulating Low E II glass	0.34	2.94	0.24	0.40	N, NC, SC, S
Insulating Low E II glass - SDL	0.34	2.94	0.21	0.34	N, NC, SC, S
Insulating Low E II glass - SDL with spacer bars	0.35	2.86	0.21	0.34	N, NC, SC, S
Insulating Low E II glass - Argon	0.31	3.23	0.24	0.40	N, NC, SC, S
Insulating Low E II glass - Argon, SDL	0.31	3.23	0.21	0.34	N, NC, SC, S
Insulating Low E II glass - Argon, SDL with spacer bars	0.32	3.13	0.21	0.34	N, NC, SC, S
Sidelite					
Size Tested	24 x 79	24 x 79	24 x 79	24 x 79	
Single Glaze	0.70	1.43	0.46	0.47	-
Single Glaze with ADL	0.70	1.43	0.40	0.41	-
Single Glaze with EP	0.42	2.38	0.41	0.42	-
Single Glaze with EP and ADL	0.42	2.38	0.36	0.37	S
Single Glaze with Low E EP	0.35	2.86	0.34	0.39	N, NC, SC, S
Single Glaze with Low E EP and ADL	0.36	2.78	0.31	0.34	NC, SC, S
Insulating glass	0.42	2.38	0.41	0.42	-
Insulating glass - SDL	0.42	2.38	0.36	0.37	S
Insulating glass - SDL with spacer bars	0.43	2.33	0.36	0.37	S
Insulating Low E II glass	0.33	3.03	0.22	0.37	N, NC, SC, S
Insulating Low E II glass - SDL	0.33	3.03	0.20	0.33	N, NC, SC, S
Insulating Low E II glass - SDL with spacer bars	0.34	2.94	0.20	0.33	N, NC, SC, S
Insulating Low E II glass - Argon	0.31	3.23	0.22	0.37	N, NC, SC, S
Insulating Low E II glass - Argon, SDL	0.31	3.23	0.20	0.33	N, NC, SC, S
Insulating Low E II glass - Argon, SDL with spacer bars	0.32	3.13	0.20	0.33	N, NC, SC, S
Transom					
Size Tested	47 x 59	47 x 59	47 x 59	47 x 59	
Single Glaze	0.78	1.28	0.56	0.58	-
Single Glaze with ADL	0.78	1.28	0.50	0.51	-
Single Glaze with EP	0.43	2.33	0.50	0.53	-
Single Glaze with EP and ADL	0.44	2.27	0.45	0.46	-
Single Glaze with Low E EP	0.35	2.86	0.42	0.48	N, NC
Single Glaze with Low E EP and ADL	0.36	2.78	0.37	0.42	NC, SC, S
Insulating glass	0.43	2.33	0.50	0.53	-
Insulating glass - SDL	0.43	2.33	0.44	0.46	-
Insulating glass - SDL with spacer bars	0.43	2.33	0.44	0.46	-
Insulating Low E II glass	0.32	3.13	0.27	0.46	N, NC, SC, S
Insulating Low E II glass - SDL	0.32	3.13	0.24	0.41	N, NC, SC, S
Insulating Low E II glass - SDL with spacer bars	0.33	3.03	0.24	0.41	N, NC, SC, S
Insulating Low E II glass - Argon	0.29	3.44	0.27	0.46	N, NC, SC, S
Insulating Low E II glass - Argon, SDL	0.29	3.44	0.24	0.41	N, NC, SC, S
Insulating Low E II glass - Argon, SDL with spacer bars	0.30	3.33	0.24	0.41	N, NC, SC, S

NOTE: Product Values are determined using the National Fenestration Rating Council (NFRC) Procedures for determining fenestration product values.

U-Value: (Btu/hr-sq ft-°F) Lower the U-Value, the greater the resistance to heat flow and better its insulating value.

R-Value: (1/U-Value) Higher the R-Value, the greater the resistance to heat flow and better its insulating value.

Visible Light Transmittance (VLT): Percentage of visible light transmitted through the unit.

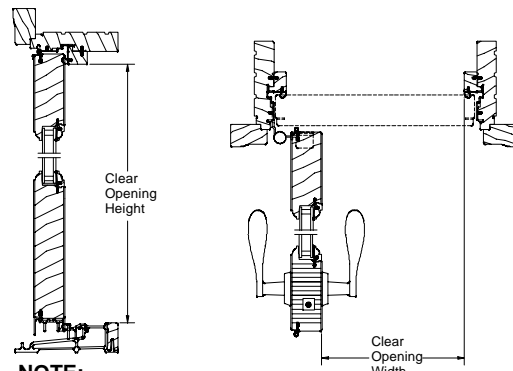
Solar Heat Gain Coefficient (SHGC): The lower a window's SHGC, the less solar heat it transmits, and the greater its shading ability.

Capillary tubes are required for IG units at high elevations. Argon will not be furnished in units with capillary tubes.

Contact the Architectural Hotline at (800-346-3363) for additional NFRC Unit Values.

Net Clear Openings Ultimate Outswing French Door		
Height		
Unit Type	Call Number	Net Clear Openings
All Configurations	6-6 Height	75 23/32" (1923)
	6-8 Height	78 7/32" (1987)
	7-0 Height	82 7/32" (2088)
	8-0 Height	91 23/32" (2330)
Width		
Unit Type	Call Number	Net Clear Openings
2666	2666	25 3/16" (640)
	3066	31 3/16" (792)
1 Panel Operator	2-0	20" (508)
	2-6	26" (660)
	2-8	28" (711)
	3-0	32" (813)
	3-6	38" (965)
5066	5066	51 5/8" (1311)
	6066	63 5/8" (1616)
2 Panel Operator	4-0	41 1/4" (1048)
	5-0	53 1/4" (1353)
	5-4	57 1/4" (1454)
	6-0	65 1/4" (1657)
	7-0	77 1/4" (1962)

NOTE: Figures above represent units with standard adjustable hinges.



NOTE:
Shown with optional handle set.
International Building Code - 2006

For Specific Guidelines refer to codes:
IBC 2006 Section 1008
and
IRC 2006 Section 310

Code restrictions may vary depending on your local building codes.
For further information contact your Marvin representative.

WOOD ULTIMATE OUTSWING FRENCH DOOR

Built around you.™

UNIT MEASUREMENTS / MINIMUM AND MAXIMUM MEASUREMENTS

Unit Measurements								
Height								
Unit Type	Call Number	Frame Size	Rough Opening	Masonry Opening	Panel OM	Daylight Opening	Glass Size	
All Configurations	6-6* Height	79 1/2" (2019)	80" (2032)	81 1/16" (2059)	76 1/2" (1943)	63 5/8" (1616)	64 15/16" (1649)	
	6-8 Height	82" (2083)	82 1/2" (2096)	83 9/16" (2122)	79" (2007)	66 1/8" (1680)	67 7/16" (1713)	
	7-0 Height	86" (2184)	86 1/2" (2197)	87 9/16" (2190)	83" (2108)	70 1/8" (1781)	71 7/16" (1815)	
	8-0 Height	95 1/2" (2426)	96" (2438)	97 1/16" (2465)	92 1/2" (2350)	79 5/8" (2022)	80 15/16" (2056)	
Width								
Unit Type	Call Number	Frame Size	Rough Opening	Masonry Opening	Panel OM	Daylight Opening	Glass Size	
Sidelite	1-6	19 7/8" (505)	20 7/8" (530)	23" (838)	17 15/32" (444)	11 1/2" (292)	12 13/16" (325)	
1 Panel	2-0	25 7/16" (646)	26 7/16" (671)	28 9/16" (725)	23 1/16" (586)	13 19/32" (345)	14 29/32" (379)	
	2-6	31 7/16" (798)	32 7/16" (824)	34 9/16" (878)	29 1/16" (738)	19 19/32" (498)	20 29/32" (531)	
	2-8	33 7/16" (849)	34 7/16" (875)	36 9/16" (929)	31 1/16" (789)	21 19/32" (548)	22 29/32" (582)	
	3-0	37 7/16" (951)	38 7/16" (976)	40 9/16" (1030)	35 1/16" (890)	25 19/32" (650)	26 29/32" (638)	
	3-6	43 7/16" (1103)	44 7/16" (1129)	46 9/16" (1183)	41 1/16" (1043)	31 19/32" (802)	32 29/32" (836)	
	2666**	30 5/8" (778)	31 5/8" (803)	33 3/4" (857)	28 1/4" (718)	18 25/32" (477)	20 3/32" (510)	
3066**	36 5/8" (930)	37 5/8" (956)	39 3/4" (1010)	34 1/4" (870)	24 25/32" (629)	26 3/32" (663)		
2 Panel	4-0	48 5/8" (1235)	49 5/8" (1260)	51 3/4" (1314)	23 1/16" (586)	13 19/32" (345)	14 29/32" (379)	
	5-0	60 5/8" (1540)	61 5/8" (1565)	63 3/4" (1619)	29 1/16" (738)	19 19/32" (498)	20 29/32" (531)	
	5-4	64 5/8" (1641)	65 5/8" (1667)	67 3/4" (1721)	31 1/16" (789)	21 19/32" (548)	22 29/32" (582)	
	6-0	72 5/8" (1845)	73 5/8" (1870)	75 3/4" (1924)	35 1/16" (890)	25 19/32" (650)	26 29/32" (638)	
	7-0	84 5/8" (2149)	85 5/8" (2175)	87 3/4" (2229)	41 1/16" (1043)	31 19/32" (802)	32 29/32" (836)	
	5066**	59" (1499)	60" (1524)	62 1/8" (1578)	28 1/4" (718)	18 25/32" (477)	20 3/32" (510)	
6066**	71" (1803)	72" (1829)	74 1/8" (1883)	34 1/4" (870)	24 25/32" (629)	26 3/32" (663)		
3 Panel	6-0	71 13/16" (1824)	72 13/16" (1849)	74 15/16" (1903)	23 1/16" (586)	13 19/32" (345)	14 29/32" (379)	
	7-6	89 13/16" (2281)	90 13/16" (2307)	92 15/16" (2361)	29 1/16" (738)	19 19/32" (498)	20 29/32" (531)	
	8-0	95 13/16" (2494)	96 13/16" (2460)	98 15/16" (2531)	31 1/16" (789)	21 19/32" (548)	22 29/32" (582)	
	9-0	107 13/16" (2738)	108 13/16" (2764)	110 15/16" (2818)	35 1/16" (890)	25 19/32" (650)	26 29/32" (638)	
	10-6	125 13/16" (3196)	126 13/16" (3221)	128 15/16" (3275)	41 1/16" (1043)	31 19/32" (802)	32 29/32" (836)	
	9066**	105 3/8" (2677)	106 3/8" (2702)	108 1/2" (2756)	34 1/4" (870)	24 25/32" (629)	26 3/32" (663)	
4 Panel	8-0	95" (2413)	96" (2438)	98 1/8" (2492)	23 1/16" (586)	13 19/32" (345)	14 29/32" (379)	
	10-0	119" (3023)	120" (3048)	122 1/8" (3102)	29 1/16" (738)	19 19/32" (498)	20 29/32" (531)	
	10-8	127" (3226)	128" (3251)	130 1/8" (3305)	31 1/16" (789)	21 19/32" (548)	22 29/32" (582)	
	12-0	143" (3632)	144" (3658)	146 1/8" (3712)	35 1/16" (890)	25 19/32" (650)	26 29/32" (638)	
	14-0	167" (4242)	168" (4267)	170 1/8" (2704)	41 1/16" (1043)	31 19/32" (802)	32 29/32" (836)	
1 Panel with One Sidelite	3-0 1-6	55 1/16" (1399)	56 1/16" (1424)	58 3/16" (1477)	35 1/16" + (890) 17 15/32" ++ (444)	25 19/32" (650) 18 3/32" (460)	26 29/32" + (683) 12 13/16" ++ (325)	
1 Panel with Two Sidelite	6-0 1-6	72 5/8" (1845)	73 5/8" (1870)	75 3/4" (1924)	35 1/16" + (890) 17 15/32" ++ (444)	25 19/32" (650) 11 1/2" (292)	26 29/32" + (683) 12 13/16" ++ (325)	
2 Panel with Two Sidelite	3-0 1-6	107 13/16" (2738)	108 13/16" (2764)	110 15/16" (2818)	35 1/16" + (890) 17 15/32" ++ (444)	25 19/32" (650) 11 1/2" (292)	26 29/32" + (638) 12 13/16" ++ (325)	
	5066** 1066	94 3/16" (2392)	95 3/16" (2418)	97 5/16" (2472)	28 1/4" + (718) 17 15/32" ++ (444)	18 25/32" + (477) 11 1/2" ++ (292)	20 3/32" + (510) 12 13/16" ++ (325)	

* Available in 2666, 3066, 5066, 6066, 9066 and 8066 widths only.

** Available in 6-6 height only.

++ Operator Panel

+++ Sidelite Panel

Minimum and Maximum Measurements				
Glazing Type	Minimum RO Width	Minimum RO Height	Maximum RO Width	Maximum RO Height
Wood Ultimate Outswing French Door				
1 - Panel Sidelite	14 1/2" (368)	70 13/16" (1799)	51 3/8" (1305)	96" (2438)
1 - Panel Stationary	18" (457)	70 13/16" (1799)	54 1/2" (1384)	96" (2438)
1 - Panel Operator	18" (457)	70 13/16" (1799)	44 7/16" (1129)	96" (2438)
2 - Panel Operator	32 11/16" (830)	70 13/16" (1799)	85 5/8" (2175)	96" (2438)
3 - Panel Operator	47 1/2" (1206)	70 13/16" (1799)	126 13/16" (3221)	96" (2438)
4 - Panel Operator	62 1/4" (1581)	70 13/16" (1799)	168" (4267)	96" (2438)
Maximum Square Footage per panel is 25 (635) square feet of glass. Minimum RO height for multipoint hardware is 79 1/4" (2013).				
Transom				
Direct Glaze				
Factory / Field Mullled Stand Alone	14 1/2" (368)	12 1/2" (318)	102 9/16" (2605)	36 1/2" (927)
	14 1/2" (368)	12 1/2" (318)	102 9/16" (2605)	96" (2438)
Sidelite - 1 Frame / 1 Sash				
Factory / Field Mullled Stand Alone	14 1/2" (368)	14 3/16" (360)	73 5/8" (1870)	36 1/2" (927)
	14 1/2" (368)	14 3/16" (360)	73 5/8" (1870)	96" (2438)
1 Frame / 1 Sash				
Factory / Field Mullled Stand Alone	18" (457)	14 3/16" (360)	85 5/8" (2174)	36 1/2" (927)
	18" (457)	14 3/16" (360)	85 5/8" (2174)	60 1/2" (1536)
1 Frame / 2 Sash				
Factory / Field Mullled Stand Alone	32 11/16" (830)	14 3/16" (360)	85 5/8" (2174)	36 1/2" (927)
	32 11/16" (830)	14 3/16" (360)	168" (4267)	48 1/2" (1231)
1 Frame / 3 Sash				
Factory / Field Mullled Stand Alone	47 1/2" (1206)	14 3/16" (360)	126 13/16" (3221)	36 1/2" (927)
	47 1/2" (1206)	14 3/16" (360)	168" (4267)	48 1/2" (1231)
1 Frame / 4 Sash				
Factory / Field Mullled Stand Alone	62 1/4" (1581)	14 3/16" (360)	126 13/16" (3221)	36 1/2" (927)
	62 1/4" (1581)	14 3/16" (360)	168" (4267)	48 1/2" (1231)
NOTE: Factory mullled units largest finish assembly MO 101 1/4" (2572) x 144 1/4" (3664) or 144 1/4" (3664) x 101 1/4" (2572). Stand alone indicates a transom in its own opening.				

WOOD ULTIMATE OUTSWING FRENCH DOOR

DESIGN PRESSURE / TRANSOM FIELD MULLING GUIDELINES

Design Pressure Values							
Ultimate Outswing French Door with Multi-point Lock and Adjustable Hinges							
Width			Height				
Panel Call Number	Door Call Number	Number of Panels	6-5 ht.	6-8 ht.	7-0 ht.	8-0 ht	
2666	2666	1	DP40				
	5066	2	DP40				
3066	3066	1	DP40				
	6066	2	DP40				
	4066	3	DP40				
1-6	Sidelite	1		DP40	DP40	DP40	
2-0	2-0	1		DP40	DP40	DP40	
	4-0	2		DP40	DP40	DP40	
	6-0	3		DP40	DP40	DP40	
	8-0	4		DP40	DP40	DP40	
2-6	2-6	1		DP40	DP40	DP40	
	5-0	2		DP40	DP40	DP40	
	7-6	3		DP40	DP40	DP40	
	10-0	4		DP40	DP40	DP40	
2-8	2-8	1		DP40	DP40	DP40	
	5-4	2		DP40	DP40	DP40	
	8-0	3		DP40	DP40	DP40	
	10-8	4		DP40	DP40	DP40	
3-0	3-0	1		DP40	DP40	DP40	
	6-0	2		DP40	DP40	DP40	
	9-0	3		DP40	DP40	DP40	
	12-0	4		DP40	DP40	DP40	
3-6	3-6	1		DP30	DP30	DP30	
	7-0	2		DP30	DP30	DP30	
	10-6	3		DP30	DP30	DP30	
	14-0	4		DP30	DP30	DP30	

Ultimate Outswing French Door with Mortise Latch, Deadbolt and Butt Hinges							
Width			Height				
Panel Call Number	Door Call Number	Number of Panels	6-5 ht.	6-8 ht.	7-0 ht.	8-0 ht	
2666	2666	1	DP20				
	5066	2	DP20				
3066	3066	1	DP20				
	6066	2	DP20				
	9066	3	DP20				
1-6	Sidelite	1		DP20	DP20	DP20	
2-0	2-0	1		DP20	DP20	DP20	
	4-0	2		DP20	DP20	DP20	
	6-0	3		DP20	DP20	DP20	
	8-0	4		NT	NT	DP20	
2-6	2-6	1		DP20	DP20	DP20	
	5-0	2		DP20	DP20	DP20	
	7-6	3		DP20	DP20	DP20	
	10-0	4		NT	NT	DP20	
2-8	2-8	1		DP20	DP20	DP20	
	5-4	2		DP20	DP20	DP20	
	8-0	3		DP20	DP20	DP20	
	10-8	4		NT	NT	DP20	
3-0	3-0	1		DP20	DP20	DP20	
	6-0	2		DP20	DP20	DP20	
	9-0	3		DP20	DP20	DP20	
	12-0	4		NT	NT	DP20	
3-6	3-6	1		DP20	DP20	DP20	
	7-0	2		DP20	DP20	DP20	
	10-6	3		DP20	DP20	DP20	
	14-0	4		NT	NT	DP20	

NOTE: Doors not rated: No Lock, No Bore/Bored, or Entrance Systems
 Heights are not available.
 NT = Not Tested.

Transom Field Mulling Guidelines			
Door Call Number	Transom Call Number Height		
	16	20	26
	4 9/16"	4 9/16"	4 9/16"
	Design Pressure of 15 PSF or less		
	1 Panel Door		
16	X	X	X
20	X	X	X
26	X	X	X
28	X	X	X
30	X	X	X
36	X	X	X
	2 Panel Door		
40	X	X	X
50	X	X	X
54	X	X	X
60	X	X	X
70	X	X	X
	3 Panel Door		
60	X	X	X
76	X	X	
80			
90			
106			
	4 Panel Door		
80	X	X	X
100			
108			
120			
140			

Design Pressure of 40 PSF or less			
Door Call Number	Transom Call Number Height		
	16	20	26
	4 9/16"	4 9/16"	4 9/16"
	1 Panel Door		
16	X	X	X
20	X	X	X
26	X	X	X
28	X	X	X
30	X	X	X
36	X	X	X
	2 Panel Door		
40	X	X	X
50			
54			
60			
70			
	3 Panel Door		
60			
76			
80			
90			
106			
	4 Panel Door		
80			
100			
108			
120			
140			

NOTE: Factory mullered units largest finish assembly MO 101 1/4" (2572) x 144 1/4" (3664) or 144 1/4" (3664) x 101 1/4" (2572).
 Transom not recommended for field mull.

WOOD ULTIMATE OUTSWING FRENCH DOOR

Built around you.™

MEASUREMENT CONVERSIONS

Measurement Conversions - 1 Panel										
Size Referenced	Daylight Opening		Glass Size		Frame Size		Rough Opening		Masonry Opening (With Brick Mould Casing)	
	Dimension Needed									
Daylight Opening			Width	+ 1 5/16" (33)	Width	+ 11 27/32" (301)	Width	+ 12 27/32" (326)	Width	+ 14 31/32" (380)
			Height	+ 1 5/16" (33)	Height	+ 15 7/8" (403)	Height	+ 16 3/8" (416)	Height	+ 17 7/16" (443)
Glass Size	Width	- 1 5/16" (33)			Width	+ 10 17/32" (267)	Width	+ 11 17/32" (293)	Width	+ 13 21/32" (347)
	Height	- 1 5/16" (33)			Height	+ 14 9/16" (370)	Height	+ 15 1/16" (383)	Height	+ 16 1/8" (410)
Frame Size	Width	- 11 27/32" (301)	Width	- 10 17/32" (267)			Width	+ 1" (25)	Width	+ 3 1/8" (79)
	Height	- 15 7/8" (403)	Height	- 14 9/16" (370)			Height	+ 1/2" (13)	Height	+ 1 9/16" (40)
Rough Opening	Width	- 12 27/32" (326)	Width	- 11 17/32" (293)	Width	- 1" (25)			Width	+ 2 1/8" (54)
	Height	- 16 3/8" (416)	Height	- 15 1/16" (383)	Height	- 1/2" (13)			Height	+ 1 1/16" (27)
Masonry Opening (With Brick Mould Casing)	Width	- 14 31/32" (380)	Width	- 13 21/32" (347)	Width	- 3 1/8" (79)	Width	- 2 1/8" (54)		
	Height	- 17 7/16" (443)	Height	- 16 1/8" (409)	Height	- 1 9/16" (40)	Height	- 1 1/16" (27)		

Measurement Conversions - 2 Panel										
Size Referenced	Daylight Opening		Glass Size		Frame Size		Rough Opening		Masonry Opening (With Brick Mould Casing)	
	Dimension Needed									
Daylight Opening			Width	+ 1 5/16" (33)	Width	DLO x 2 + 21 7/16" (545)	Width	DLO x 2 + 22 7/16" (570)	Width	DLO x 2 + 24 9/16" (624)
			Height	+ 1 5/16" (33)	Height	+ 15 7/8" (403)	Height	+ 16 3/8" (416)	Height	+ 17 7/16" (443)
Glass Size	Width	- 1 5/16" (33)			Width	GS x 2 + 18 13/16" (478)	Width	GS x 2 + 19 13/16" (503)	Width	GS x 2 + 21 15/16" (557)
	Height	- 1 5/16" (33)			Height	+ 14 9/16" (370)	Height	+ 15 1/16" (383)	Height	+ 16 1/8" (410)
Frame Size	Width	- 21 7/16" + 2 (545)	Width	- 18 13/16" + 2 (478)			Width	+ 1" (25)	Width	+ 3 1/8" (79)
	Height	- 15 7/8" (403)	Height	- 14 9/16" (370)			Height	+ 1/2" (13)	Height	+ 1 9/16" (40)
Rough Opening	Width	- 22 7/16" + 2 (570)	Width	- 19 13/16" + 2 (503)	Width	- 1" (25)			Width	+ 2 1/8" (54)
	Height	- 16 3/8" (416)	Height	- 15 1/16" (383)	Height	- 1/2" (13)			Height	+ 1 1/16" (27)
Masonry Opening (With Brick Mould Casing)	Width	- 24 9/16" + 2 (624)	Width	- 21 15/16" + 2 (557)	Width	- 3 1/8" (79)	Width	- 2 1/8" (54)		
	Height	- 17 7/16" (443)	Height	- 16 1/8" (409)	Height	- 1 9/16" (40)	Height	- 1 1/16" (27)		

WOOD ULTIMATE OUTSWING FRENCH DOOR

Built around you.™

MEASUREMENT CONVERSIONS

Measurement Conversions - 3 Panel										
Size Referenced	Daylight Opening		Glass Size		Frame Size		Rough Opening		Masonry Opening (With Brick Mould Casing)	
Daylight Opening	Dimension Needed									
			Width	+ 1 5/16" (33)	Width	DLO x 3 + 31 1/32" (788)	Width	DLO x 3 + 32 1/32" (814)	Width	DLO x 3 + 34 5/32" (868)
Glass Size			Height	+ 1 5/16" (33)	Height	+ 15 7/8" (403)	Height	+ 16 3/8" (416)	Height	+ 17 7/16" (443)
	Width	- 1 5/16" (33)			Width	GS x 3 + 27 3/32" (688)	Width	GS x 3 + 28 3/32" (714)	Width	GS x 3 + 30 7/32" (768)
Frame Size	Height	- 1 5/16" (33)			Height	+ 14 9/16" (370)	Height	+ 15 1/16" (383)	Height	+ 16 1/8" (410)
	Width	- 31 1/32" + 3 (788)	Width	- 27 3/32" + 3 (688)			Width	+ 1" (25)	Width	+ 3 1/8" (79)
Rough Opening	Height	- 15 7/8" (403)	Height	- 14 9/16" (370)			Height	+ 1/2" (13)	Height	+ 1 9/16" (40)
	Width	- 32 1/32" + 3 (814)	Width	- 28 3/32" + 3 (714)	Width	- 1" (25)			Width	+ 2 1/8" (54)
Masonry Opening (With Brick Mould Casing)	Height	- 16 3/8" (416)	Height	- 15 1/16" (383)	Height	- 1/2" (13)			Height	+ 1 1/16" (27)
	Width	- 34 5/32" + 3 (868)	Width	- 30 7/32" + 3 (768)	Width	- 3 1/8" (79)	Width	- 2 1/8" (54)		
	Height	- 17 7/16" (443)	Height	- 16 1/8" (409)	Height	- 1 9/16" (40)	Height	- 1 1/16" (27)		

Measurement Conversions - 4 Panel										
Size Referenced	Daylight Opening		Glass Size		Frame Size		Rough Opening		Masonry Opening (With Brick Mould Casing)	
Daylight Opening	Dimension Needed									
			Width	+ 1 5/16" (33)	Width	DLO x 4 + 40 5/8" (1032)	Width	DLO x 4 + 41 5/8" (1057)	Width	DLO x 4 + 43 3/4" (1111)
Glass Size			Height	+ 1 5/16" (33)	Height	+ 15 7/8" (403)	Height	+ 16 3/8" (416)	Height	+ 17 7/16" (443)
	Width	- 1 5/16" (33)			Width	GS x 4 + 35 3/8" (899)	Width	GS x 4 + 36 3/8" (924)	Width	GS x 4 + 38 1/2" (978)
Frame Size	Height	- 1 5/16" (33)			Height	+ 14 9/16" (370)	Height	+ 15 1/16" (383)	Height	+ 16 1/8" (410)
	Width	- 40 5/8" + 4 (1032)	Width	- 35 3/8" + 4 (899)			Width	+ 1" (25)	Width	+ 3 1/8" (79)
Rough Opening	Height	- 15 7/8" (403)	Height	- 14 9/16" (370)			Height	+ 1/2" (13)	Height	+ 1 9/16" (40)
	Width	- 41 5/8" + 4 (1057)	Width	- 36 3/8" + 4 (924)	Width	- 1" (25)			Width	+ 2 1/8" (54)
Masonry Opening (With Brick Mould Casing)	Height	- 16 3/8" (416)	Height	- 15 1/16" (383)	Height	- 1/2" (13)			Height	+ 1 1/16" (27)
	Width	- 43 3/4" + 4 (1111)	Width	- 38 1/2" + 4 (978)	Width	- 3 1/8" (79)	Width	- 2 1/8" (54)		
	Height	- 17 7/16" (443)	Height	- 16 1/8" (409)	Height	- 1 9/16" (40)	Height	- 1 1/16" (27)		

WOOD ULTIMATE OUTSWING FRENCH DOOR

Built around you.™

MEASUREMENT CONVERSIONS

Measurement Conversions - Sidelite									
Size Referenced	Daylight Opening		Glass Size		Frame Size		Rough Opening		Masonry Opening (With Brick Mould Casing)
Daylight Opening	Dimension Needed								
	Width		+ 1 5/16" (33)	Width	+ 8 11/32" (212)	Width	+ 9 11/32" (237)	Width	+ 11 15/32" (291)
Glass Size	Height		+ 1 5/16" (33)	Height	+ 15 7/8" (403)	Height	+ 16 3/8" (416)	Height	+ 17 7/16" (443)
	Width	- 1 5/16" (33)	Dimension Given	Width	+ 7 1/32" (179)	Width	+ 8 1/32" (204)	Width	+ 10 5/32" (258)
Height	- 1 5/16" (33)	Height		+ 14 9/16" (370)	Height	+ 15 1/16" (383)	Height	+ 16 1/8" (410)	
Frame Size	Width	- 8 11/32" (212)	Width	- 7 1/32" (179)	Dimension Needed	Width	+ 1" (25)	Width	+ 3 1/8" (79)
	Height	- 15 7/8" (403)	Height	- 14 9/16" (370)		Height	+ 1/2" (13)	Height	+ 1 9/16" (40)
Rough Opening	Width	- 9 11/32" (237)	Width	- 8 1/32" (204)	Width	- 1" (25)	Dimension Needed	Width	+ 2 1/8" (54)
	Height	- 16 3/8" (416)	Height	- 15 1/16" (383)	Height	- 1/2" (13)		Height	+ 1 1/16" (27)
Masonry Opening (With Brick Mould Casing)	Width	- 11 15/32" (291)	Width	- 10 5/32" (258)	Width	- 3 1/8" (79)	Width	- 2 1/8" (54)	Dimension Needed
	Height	- 17 7/16" (443)	Height	- 16 1/8" (409)	Height	- 1 9/16" (40)	Height	- 1 1/16" (27)	

Measurement Conversions - Sidelite Transom 1 Frame - 1 Sash Stand Alone									
Size Referenced	Daylight Opening		Glass Size		Frame Size		Rough Opening		Masonry Opening (With Brick Mould Casing)
Daylight Opening	Dimension Needed								
	Width		+ 1 5/16" (33)	Width	+ 8 11/32" (212)	Width	+ 9 11/32" (237)	Width	+ 11 15/32" (291)
Glass Size	Height		+ 1 5/16" (33)	Height	+ 8 11/16" (221)	Height	+ 9 3/16" (233)	Height	+ 10 15/16" (278)
	Width	- 1 5/16" (33)	Dimension Given	Width	+ 7 1/32" (179)	Width	+ 8 1/32" (204)	Width	+ 10 5/32" (258)
Height	- 1 5/16" (33)	Height		+ 7 3/8" (187)	Height	+ 7 7/8" (200)	Height	+ 9 5/8" (244)	
Frame Size	Width	- 8 11/32" (212)	Width	- 7 1/32" (179)	Dimension Needed	Width	+ 1" (25)	Width	+ 3 1/8" (79)
	Height	- 8 11/16" (221)	Height	- 7 3/8" (187)		Height	+ 1/2" (13)	Height	+ 2 1/4" (57)
Rough Opening	Width	- 9 11/32" (237)	Width	- 8 1/32" (204)	Width	- 1" (25)	Dimension Needed	Width	+ 2 1/8" (54)
	Height	- 9 3/16" (233)	Height	- 7 7/8" (200)	Height	- 1/2" (13)		Height	+ 1 3/4" (44)
Masonry Opening (With Brick Mould Casing)	Width	- 11 15/32" (291)	Width	- 10 5/32" (258)	Width	- 3 1/8" (79)	Width	- 2 1/8" (54)	Dimension Needed
	Height	- 10 15/16" (278)	Height	- 9 5/8" (244)	Height	- 2 1/4" (44)	Height	- 1 3/4" (27)	

WOOD ULTIMATE OUTSWING FRENCH DOOR

Built around you.™

MEASUREMENT CONVERSIONS

Measurement Conversions - Transom 1 Frame - 1 Sash Stand Alone										
Size Referenced	Daylight Opening		Glass Size		Frame Size		Rough Opening		Masonry Opening (With Brick Mould Casing)	
	Dimension Needed									
Daylight Opening			Width	+ 1 5/16" (33)	Width	+ 11 27/32" (301)	Width	+ 12 27/32" (326)	Width	+ 14 31/32" (380)
			Height	+ 1 5/16" (33)	Height	+ 8 11/16" (221)	Height	+ 9 3/16" (233)	Height	+ 10 15/16" (278)
Glass Size	Width	- 1 5/16" (33)			Width	+ 10 17/32" (267)	Width	+ 11 17/32" (293)	Width	+ 13 21/32" (347)
	Height	- 1 5/16" (33)			Height	+ 7 3/8" (187)	Height	+ 7 7/8" (200)	Height	+ 9 5/8" (244)
Frame Size	Width	- 11 27/32" (301)	Width	- 10 17/32" (267)			Width	+ 1" (25)	Width	+ 3 1/8" (79)
	Height	- 8 11/16" (221)	Height	- 7 3/8" (187)			Height	+ 1/2" (13)	Height	+ 2 1/4" (57)
Rough Opening	Width	- 12 27/32" (326)	Width	- 11 17/32" (293)	Width	- 1" (25)			Width	+ 2 1/8" (54)
	Height	- 9 3/16" (233)	Height	- 7 7/8" (200)	Height	- 1/2" (13)			Height	+ 1 3/4" (44)
Masonry Opening (With Brick Mould Casing)	Width	- 14 31/32" (380)	Width	- 13 21/32" (347)	Width	- 3 1/8" (79)	Width	- 2 1/8" (54)		
	Height	- 10 15/16" (278)	Height	- 9 5/8" (244)	Height	- 2 1/4" (57)	Height	- 1 3/4" (44)		

Measurement Conversions - Transom 1 Frame - 2 Sash Stand Alone										
Size Referenced	Daylight Opening		Glass Size		Frame Size		Rough Opening		Masonry Opening (With Brick Mould Casing)	
	Dimension Needed									
Daylight Opening			Width	+ 1 5/16" (33)	Width	DLO x 2 + 21 7/16" (545)	Width	DLO x 2 + 22 7/16" (570)	Width	DLO x 2 + 24 9/16" (624)
			Height	+ 1 5/16" (33)	Height	+ 8 11/16" (221)	Height	+ 9 3/16" (233)	Height	+ 10 15/16" (278)
Glass Size	Width	- 1 5/16" (33)			Width	GS x 2 + 18 13/16" (478)	Width	GS x 2 + 19 13/16" (503)	Width	GS x 2 + 21 15/16" (557)
	Height	- 1 5/16" (33)			Height	+ 7 3/8" (187)	Height	+ 7 7/8" (200)	Height	+ 9 5/8" (244)
Frame Size	Width	- 21 7/16" + 2 (545)	Width	- 18 13/16" + 2 (478)			Width	+ 1" (25)	Width	+ 3 1/8" (79)
	Height	- 8 11/16" (221)	Height	- 7 3/8" (187)			Height	+ 1/2" (13)	Height	+ 2 1/4" (57)
Rough Opening	Width	- 22 7/16" + 2 (570)	Width	- 19 13/16" + 2 (503)	Width	- 1" (25)			Width	+ 2 1/8" (54)
	Height	- 9 3/16" (233)	Height	- 7 7/8" (200)	Height	- 1/2" (13)			Height	+ 1 3/4" (44)
Masonry Opening (With Brick Mould Casing)	Width	- 24 9/16" + 2 (624)	Width	- 21 15/16" + 2 (557)	Width	- 3 1/8" (79)	Width	- 2 1/8" (54)		
	Height	- 10 15/16" (278)	Height	- 9 5/8" (244)	Height	- 2 1/4" (57)	Height	- 1 3/4" (44)		

WOOD ULTIMATE OUTSWING FRENCH DOOR

Built around you.™

MEASUREMENT CONVERSIONS

Measurement Conversions - Transom 1 Frame - 3 Sash Stand Alone										
Size Referenced	Daylight Opening		Glass Size		Frame Size		Rough Opening		Masonry Opening (With Brick Mould Casing)	
Daylight Opening	Dimension Needed									
			Width	+ 1 5/16" (33)	Width	DLO x 3 + 31 1/32" (788)	Width	DLO x 3 + 32 1/32" (814)	Width	DLO x 3 + 34 5/32" (868)
Glass Size			Height	+ 1 5/16" (33)	Height	+ 8 11/16" (221)	Height	+ 9 3/16" (233)	Height	+ 10 15/16" (278)
	Width	- 1 5/16" (33)			Width	GS x 3 + 27 3/32" (688)	Width	GS x 3 + 28 3/32" (714)	Width	GS x 3 + 30 7/32" (768)
Frame Size	Height	- 1 5/16" (33)			Height	+ 7 3/8" (187)	Height	+ 7 7/8" (200)	Height	+ 9 5/8" (244)
	Width	- 31 1/32" + 3 (788)	Width	- 27 3/32" + 3 (688)			Width	+ 1" (25)	Width	+ 3 1/8" (79)
Rough Opening	Height	- 8 11/16" (221)	Height	- 7 3/8" (187)			Height	+ 1/2" (13)	Height	+ 2 1/4" (57)
	Width	- 32 1/32" + 3 (814)	Width	- 28 3/32" + 3 (714)	Width	- 1" (25)			Width	+ 2 1/8" (54)
Masonry Opening (With Brick Mould Casing)	Height	- 9 3/16" (233)	Height	- 7 7/8" (200)	Height	- 1/2" (13)			Height	+ 1 3/4" (44)
	Width	- 34 5/32" + 3 (868)	Width	- 30 7/32" + 3 (768)	Width	- 3 1/8" (79)	Width	- 2 1/8" (54)		
	Height	- 10 15/16" (278)	Height	- 9 5/8" (244)	Height	- 2 1/4" (57)	Height	- 1 3/4" (44)		

Measurement Conversions - Transom 1 Frame - 4 Sash Stand Alone										
Size Referenced	Daylight Opening		Glass Size		Frame Size		Rough Opening		Masonry Opening (With Brick Mould Casing)	
Daylight Opening	Dimension Needed									
			Width	+ 1 5/16" (33)	Width	DLO x 4 + 40 5/8" (1032)	Width	DLO x 4 + 41 5/8" (1057)	Width	DLO x 4 + 43 3/4" (1111)
Glass Size			Height	+ 1 5/16" (33)	Height	+ 8 11/16" (221)	Height	+ 9 3/16" (233)	Height	+ 10 15/16" (278)
	Width	- 1 5/16" (33)			Width	GS x 4 + 35 3/8" (899)	Width	GS x 4 + 36 3/8" (924)	Width	GS x 4 + 38 1/2" (978)
Frame Size	Height	- 1 5/16" (33)			Height	+ 7 3/8" (187)	Height	+ 7 7/8" (200)	Height	+ 9 5/8" (244)
	Width	- 40 5/8" + 4 (1032)	Width	- 35 3/8" + 4 (899)			Width	+ 1" (25)	Width	+ 3 1/8" (79)
Rough Opening	Height	- 8 11/16" (221)	Height	- 7 3/8" (187)			Height	+ 1/2" (13)	Height	+ 2 1/4" (57)
	Width	- 41 5/8" + 4 (1057)	Width	- 36 3/8" + 4 (924)	Width	- 1" (25)			Width	+ 2 1/8" (54)
Masonry Opening (With Brick Mould Casing)	Height	- 9 3/16" (233)	Height	- 7 7/8" (200)	Height	- 1/2" (13)			Height	+ 1 3/4" (44)
	Width	- 43 3/4" + 4 (1111)	Width	- 38 1/2" + 4 (978)	Width	- 3 1/8" (79)	Width	- 2 1/8" (54)		
	Height	- 10 15/16" (278)	Height	- 9 5/8" (244)	Height	- 2 1/4" (57)	Height	- 1 3/4" (44)		

WOOD ULTIMATE OUTSWING FRENCH DOOR

Built around you.™

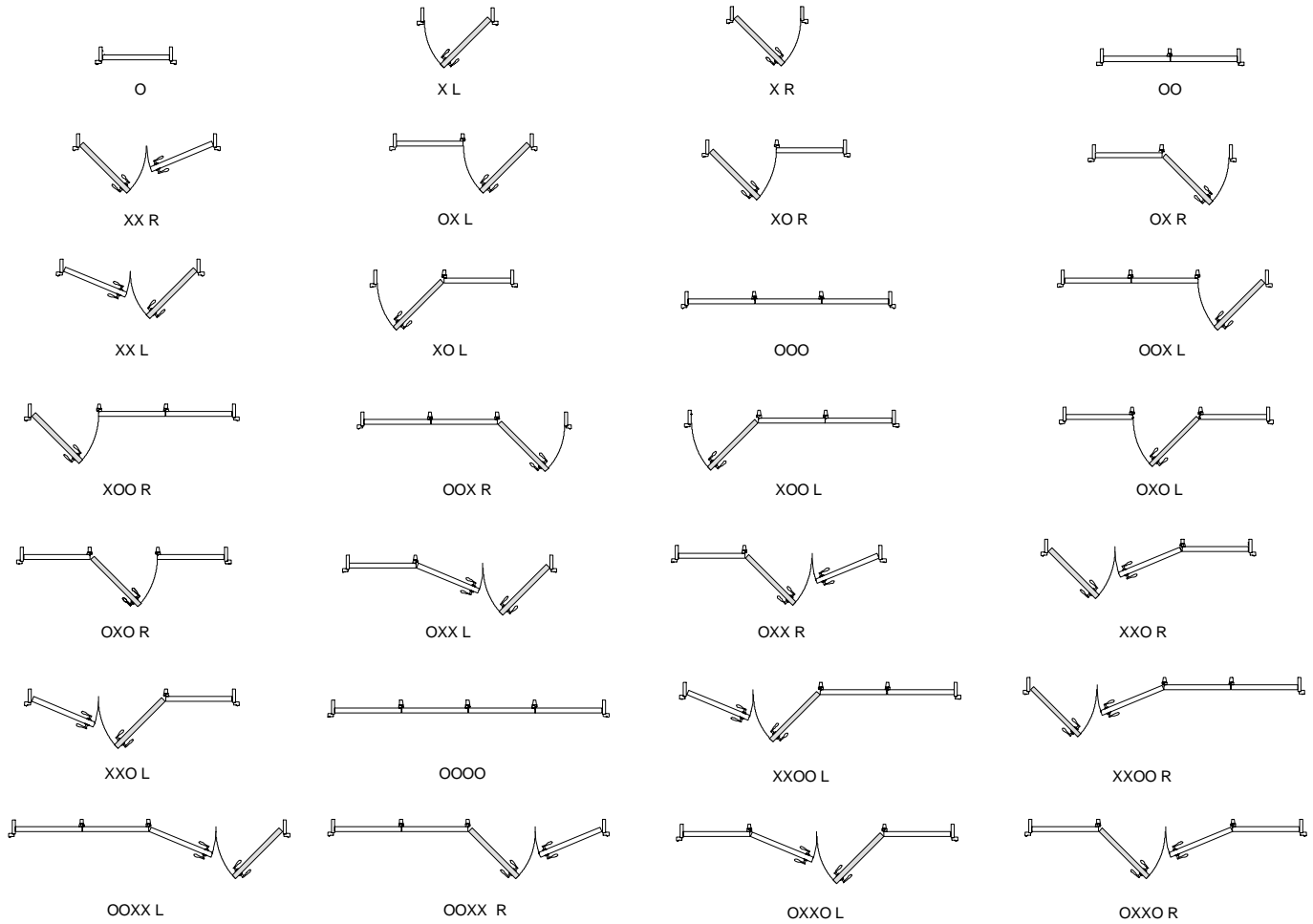
MEASUREMENT CONVERSIONS

Measurement Conversions - Direct Glaze Transom - Stand Alone										
Size Referenced	Daylight Opening		Glass Size		Frame Size		Rough Opening		Masonry Opening (With Brick Mould Casing)	
Daylight Opening	Dimension Needed									
			Width	+ 1 9/16" (40)	Width	+3 1/8" (79)	Width	+4 1/8" (105)	Width	+6 1/4" (159)
Glass Size			Height	+ 1 9/16" (40)	Height	+3 1/8" (79)	Height	+3 5/8" (92)	Height	+5 3/8" (137)
	Width	-1 9/16" (40)			Width	+ 1 9/16" (40)	Width	+2 9/16" (65)	Width	+4 11/16" (119)
Frame Size	Height	-1 9/16" (40)			Height	+ 1 9/16" (40)	Height	+2 1/16" (52)	Height	+3 13/16" (97)
	Width	-3 1/8" (79)	Width	-1 9/16" (40)			Width	+1" (25)	Width	+3 1/8" (79)
Rough Opening	Height	-3 1/8" (79)	Height	-1 9/16" (40)			Height	+1/2" (13)	Height	+2 1/4" (57)
	Width	-4 1/8" (105)	Width	-2 9/16" (65)	Width	-1" (25)			Width	+2 1/8" (54)
Masonry Opening (With Brick Mould Casing)	Height	-3 5/8" (92)	Height	-2 1/16" (52)	Height	-1/2" (13)			Height	+1 3/4" (44)
	Width	-6 1/4" (159)	Width	-4 11/16" (119)	Width	-3 1/8" (79)	Width	-2 1/8" (54)		
	Height	-5 3/8" (137)	Height	-3 13/16" (97)	Height	-2 1/4" (57)	Height	-1 3/4" (44)		

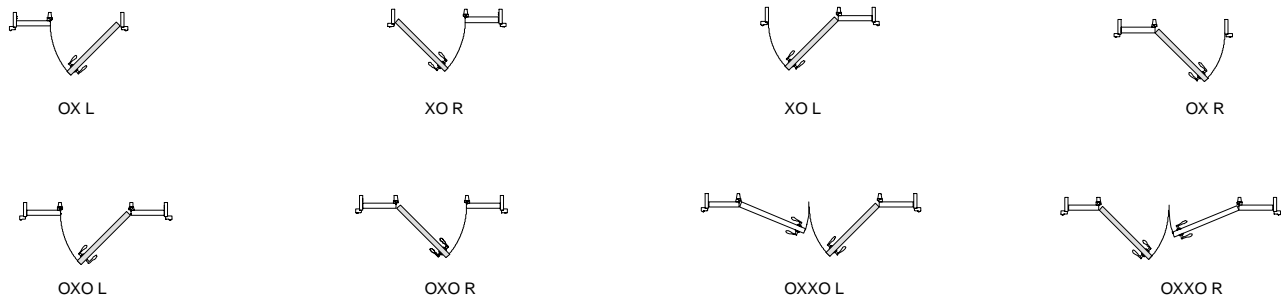
WOOD ULTIMATE OUTSWING FRENCH DOOR

PANEL HINGING CONFIGURATIONS

NOT TO SCALE



ENTRANCE SYSTEMS



HINGING:

- LH - Left Hand
- RH - Right Hand
- O - Stationary Panel
- X - Operating Panel, Specify L or R Handing
- XX - Two operating panel, (1) active and (1) inactive, specify L or R Handing for active panel.
- Primary operating panel.

NOTE: For hinging configurations not shown contact your Marvin Representative.

WOOD ULTIMATE OUTSWING FRENCH DOOR

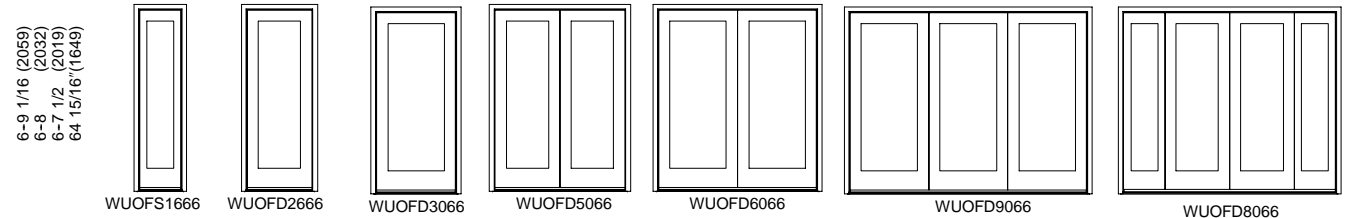
ELEVATIONS: 6/6, 6/8, 7/0 AND 8/0 HEIGHTS

NOT TO SCALE

CAUTION: It is recommended that a minimum of 1/4" be added to the rough opening height when using a rigid sill pan product such as Marvin SillGuard™.

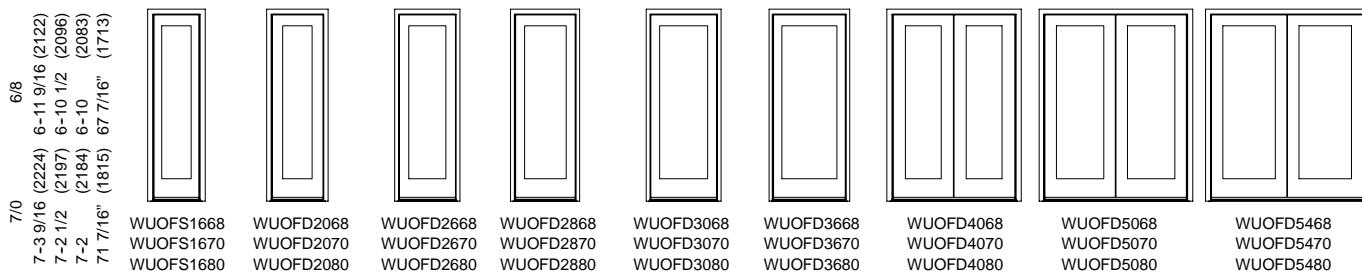
6/6 Height

Mas. Opg.	1-11 (584)	2-9 3/4 (857)	3-3 3/4 (1010)	5-2 1/8 (1578)	6-2 1/8 (1883)	9-0 1/2 (2756)	8-1 5/16 (2472)
Rgh. Opg.	1-8 7/8 (530)	2-7 5/8 (803)	3-1 5/8 (956)	5-0 (1524)	6-0 (1829)	8-10 3/8 (2702)	7-11 3/16 (2418)
Frame Size	1-7 7/8 (505)	2-6 5/8 (778)	3-0 5/8 (930)	4-11 (1499)	5-11 (1803)	8-9 3/8 (2677)	7-10 3/16 (2392)
Glass Size	12 13/16" (325)	20 3/32" (510)	26 3/32" (663)	20 3/32" (510)	26 3/32" (663)	26 3/32" (663)	12 13/16" (325) 20 3/32" (510)

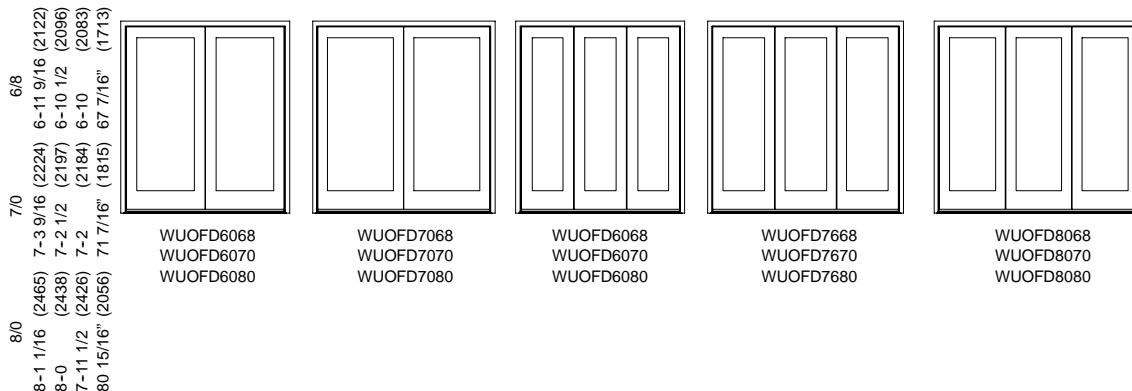


6/8, 7/0 & 8/0 Heights

Mas. Opg.	1-11 (584)	2-4 9/16 (725)	2-10 9/16 (878)	3-0 9/16 (929)	3-4 9/16 (1030)	3-10 9/16 (1183)	4-3 3/4 (1314)	5-3 3/4 (1619)	5-7 3/4 (1721)
Rgh. Opg.	1-8 7/8 (530)	2-2 7/16 (672)	2-8 7/16 (824)	2-10 7/16 (875)	3-2 7/16 (976)	3-8 7/16 (1129)	4-1 5/8 (1260)	5-1 5/8 (1565)	5-5 5/8 (1667)
Frame Size	1-7 7/8 (505)	2-1 7/16 (646)	2-7 7/16 (799)	2-9 7/16 (849)	3-1 7/16 (951)	3-7 7/16 (1103)	4-0 5/8 (1235)	5-0 5/8 (1540)	5-4 5/8 (1641)
Glass Size	12 13/16" (325)	14 29/32" (379)	20 29/32" (531)	22 29/32" (582)	26 29/32" (638)	32 29/32" (836)	14 29/32" (379)	20 29/32" (531)	22 29/32" (582)



Mas. Opg.	6-3 3/4 (1924)	7-3 3/4 (2229)	6-2 15/16 (1903)	7-8 15/16 (2361)	8-2 15/16 (2513)
Rgh. Opg.	6-1 5/8 (1870)	7-1 5/8 (2175)	6-0 13/16 (1849)	7-6 13/16 (2307)	8-0 13/16 (2459)
Frame Size	6-0 5/8 (1845)	7-0 5/8 (2149)	5-11 13/16 (1824)	7-5 13/16 (2281)	7-11 13/16 (2434)
Glass Size	26 29/32" (683)	32 29/32" (836)	14 29/32" (379)	20 29/32" (531)	22 29/32" (582)



NOTE:

Refer to panel hinging configurations page for creations available.

WOOD ULTIMATE OUTSWING FRENCH DOOR

ELEVATIONS: 6/8, 7/0 and 8/0 AND ENTRANCE SYSTEM HEIGHT

NOT TO SCALE

CAUTION: It is recommended that a minimum of 1/4" be added to the rough opening height when using a rigid sill pan product such as Marvin SillGuard™.

6/8, 7/0 & 8/0 Heights

Mas. Opg.	9-2 15/16 (2818)	10-8 15/16(3275)	8-2 1/8 (2492)	10-2 1/8 (3102)	10-10 1/8 (3305)
Rgh. Opg.	9-0 13/16 (2764)	10-6 13/16(3221)	8-0 (2438)	10-0 (3048)	10-8 (3251)
Frame Size	8-11 13/16(2738)	10-5 13/16(3196)	7-11 (2413)	9-11 (3023)	10-7 (3226)
Glass Size	26 29/32" (683)	32 29/32" (836)	14 29/32" (379)	20 29/32" (531)	22 29/32" (582)

6/8 7/0 8/0	8-1 1/16 (2465)	10-1 1/16 (3275)	8-1 1/8 (2492)	10-1 1/8 (3102)	10-1 1/8 (3305)
	8-0 (2438)	10-0 (3221)	8-0 (2438)	10-0 (3048)	10-8 (3251)
	7-11 1/2 (2426)	10-11 1/2 (3196)	7-11 (2413)	9-11 (3023)	10-7 (3226)
	80 15/16" (2056)	80 15/16" (836)	14 29/32" (379)	20 29/32" (531)	22 29/32" (582)
	7-3 9/16 (2224)	10-3 9/16 (3275)	8-3 1/8 (2492)	10-3 1/8 (3102)	10-3 1/8 (3305)
	7-2 1/2 (2197)	10-2 1/2 (3221)	8-0 (2438)	10-0 (3048)	10-8 (3251)
	7-2 (2184)	10-2 (3196)	7-11 (2413)	9-11 (3023)	10-7 (3226)
	71 7/16" (1815)	71 7/16" (836)	14 29/32" (379)	20 29/32" (531)	22 29/32" (582)
	6-11 9/16 (2122)	10-11 9/16 (3275)	8-11 9/16 (2492)	10-11 9/16 (3102)	10-11 9/16 (3305)
	6-10 1/2 (2096)	10-10 1/2 (3221)	8-10 (2438)	10-10 (3048)	10-8 (3251)
	6-10 (2083)	10-10 (3196)	8-0 (2438)	10-0 (3048)	10-7 (3226)
	67 7/16" (1713)	67 7/16" (836)	14 29/32" (379)	20 29/32" (531)	22 29/32" (582)
	WUOFD9068	WUOFD10668	WUOFD8068	WUOFD10068	WUOFD10868
	WUOFD9070	WUOFD10670	WUOFD8070	WUOFD10070	WUOFD10870
	WUOFD9080	WUOFD10680	WUOFD8080	WUOFD10080	WUOFD10880

Mas. Opg.	12-2 1/8 (3712)	14-2 1/8 (4321)
Rgh. Opg.	12-0 (3658)	14-0 (4267)
Frame Size	11-11 (3632)	13-11 (4242)
Glass Size	26 29/32" (683)	32 29/32" (836)

6/8 7/0 8/0	8-1 1/16 (2465)	14-1 1/16 (4321)
	8-0 (2438)	14-0 (4267)
	7-11 1/2 (2426)	13-11 (4242)
	80 15/16" (2056)	80 15/16" (836)
	7-3 9/16 (2224)	14-3 1/8 (4321)
	7-2 1/2 (2197)	14-0 (4267)
	7-2 (2184)	13-11 (4242)
	71 7/16" (1815)	71 7/16" (836)
	6-11 9/16 (2122)	14-11 9/16 (4321)
	6-10 1/2 (2096)	14-10 (4267)
	6-10 (2083)	13-11 (4242)
	67 7/16" (1713)	67 7/16" (836)
	WUOFD12068	WUOFD14068
	WUOFD12070	WUOFD14070
	WUOFD12080	WUOFD14080

Entrance Systems 6/8, 7/0 & 8/0 Heights

Mas. Opg.	4-10 3/16 (1477)	4-10 3/16 (1478)	6-3 3/4 (1924)	9-2 15/16 (2818)
Rgh. Opg.	4-8 1/16 (1423)	4-8 1/16 (1424)	6-1 5/8 (1870)	9-0 13/16 (2764)
Frame Size	4-7 1/16 (1398)	4-7 1/16 (1399)	6-0 5/8 (1845)	8-11 13/16 (2738)
Glass Size	12 13/16" (325)	12 13/16" (325)	12 13/16" (325)	12 13/16" (325)
	26 29/32" (683)	26 29/32" (683)	26 29/32" (683)	26 29/32" (683)

6/8 7/0 8/0	8-1 1/16 (2465)	4-11 9/16 (1477)	6-3 3/4 (1924)	9-2 15/16 (2818)
	8-0 (2438)	4-10 3/16 (1478)	6-1 5/8 (1870)	9-0 13/16 (2764)
	7-11 1/2 (2426)	4-7 1/16 (1398)	6-0 5/8 (1845)	8-11 13/16 (2738)
	80 15/16" (2056)	12 13/16" (325)	12 13/16" (325)	12 13/16" (325)
	7-3 9/16 (2224)	4-3 9/16 (1477)	6-3 3/4 (1924)	9-2 15/16 (2818)
	7-2 1/2 (2197)	4-2 1/2 (1423)	6-1 5/8 (1870)	9-0 13/16 (2764)
	7-2 (2184)	4-1 1/2 (1398)	6-0 5/8 (1845)	8-11 13/16 (2738)
	71 7/16" (1815)	12 13/16" (325)	12 13/16" (325)	12 13/16" (325)
	6-11 9/16 (2122)	4-11 9/16 (1477)	6-3 3/4 (1924)	9-2 15/16 (2818)
	6-10 1/2 (2096)	4-10 3/16 (1478)	6-1 5/8 (1870)	9-0 13/16 (2764)
	6-10 (2083)	4-7 1/16 (1398)	6-0 5/8 (1845)	8-11 13/16 (2738)
	67 7/16" (1713)	12 13/16" (325)	12 13/16" (325)	12 13/16" (325)
	WUOFD4668 ENTRANCE	WUOFD4668 ENTRANCE	WUOFD6268 ENTRANCE	WUOFD9268 ENTRANCE
	WUOFD4670 ENTRANCE	WUOFD4670 ENTRANCE	WUOFD6270 ENTRANCE	WUOFD9270 ENTRANCE
	WUOFD4680 ENTRANCE	WUOFD4680 ENTRANCE	WUOFD6280 ENTRANCE	WUOFD9280 ENTRANCE

NOTE:

Refer to panel hinging configuration page for operations available.

WOOD ULTIMATE OUTSWING FRENCH DOOR

ELEVATIONS: 1 FRAME - 1 SASH TRANSOM

NOT TO SCALE

CAUTION: It is recommended that a minimum of 1/4" be added to the rough opening height when using a rigid sill pan product such as Marvin SillGuard™.

1 Frame - 1 Sash Transom Elevations

Mas. Opg.	1-11 (584)	2-4 9/16 (726)	2-10 9/16 (878)	3-0 9/16 (929)	3-4 9/16 (1030)	3-10 9/16 (1183)	4-3 3/4 (1314)
Rgh. Opg.	1-8 7/8 (530)	2-2 7/16 (672)	2-8 7/16 (824)	2-10 7/16 (875)	3-2 7/16 (976)	3-8 7/16 (1129)	4-1 5/8 (1260)
Frame Size	1-7 7/8 (505)	2-1 7/16 (646)	2-7 7/16 (799)	2-9 7/16 (849)	3-1 7/16 (951)	3-7 7/16 (1103)	4-0 5/8 (1235)

(514) (470) (457)							
1-8 1/4 1-6 1/2 1-6	WUOFT1616	WUOFT2016	WUOFT2616	WUOFT2816	WUOFT3016	WUOFT3616	WUOFT4016
(667) (622) (610)							
2-2 1/4 2-0 1/2 2-0	WUOFT1620	WUOFT2020	WUOFT2620	WUOFT2820	WUOFT3020	WUOFT3620	WUOFT4020
(819) (775) (762)							
2-8 1/4 2-6 1/2 2-6	WUOFT1626	WUOFT2026	WUOFT2626	WUOFT2826	WUOFT3026	WUOFT3626	WUOFT4026

Mas. Opg.	5-3 3/4 (1619)	5-7 3/4 (1721)	6-3 3/4 (1924)	7-3 3/4 (2229)
Rgh. Opg.	5-1 5/8 (1565)	5-5 5/8 (1667)	6-1 5/8 (1870)	7-1 5/8 (2175)
Frame Size	5-0 5/8 (1540)	5-4 5/8 (1641)	6-0 5/8 (1845)	7-0 5/8 (2149)

(514) (470) (457)				
1-8 1/4 1-6 1/2 1-6	WUOFT5016	WUOFT5416	WUOFT6016	WUOFT7016
(667) (622) (610)				
2-2 1/4 2-0 1/2 2-0	WUOFT5020	WUOFT5420	WUOFT6020	WUOFT7020
(819) (775) (762)				
2-8 1/4 2-6 1/2 2-6	WUOFT5026	WUOFT5426	WUOFT6026	WUOFT7026

WOOD ULTIMATE OUTSWING FRENCH DOOR

ELEVATIONS: 1 FRAME - 2 AND 3 SASH TRANSOM

NOT TO SCALE

CAUTION: It is recommended that a minimum of 1/4" be added to the rough opening height when using a rigid sill pan product such as Marvin SillGuard™.

1 Frame - 2 Sash Transom Elevations

Mas. Opg.	4-3 3/4 (1314)	5-3 3/4 (1619)	5-7 3/4 (1721)	6-3 3/4 (1924)	7-3 3/4 (2229)
Rgh. Opg.	4-1 5/8 (1260)	5-1 5/8 (1565)	5-5 5/8 (1667)	6-1 5/8 (1870)	7-1 5/8 (2175)
Frame Size	4-0 5/8 (1235)	5-0 5/8 (1540)	5-4 5/8 (1641)	6-0 5/8 (1845)	7-0 5/8 (2149)

1-8 1/4 (514)					
1-6 1/2 (470)					
1-6 (457)					
2-2 1/4 (667)					
2-0 1/2 (622)					
2-0 (610)					
2-8 1/4 (819)					
2-6 1/2 (775)					
2-6 (762)					

1 Frame - 3 Sash Transom Elevations

Mas. Opg.	6-2 15/16 (1903)	7-8 15/16 (2361)	8-2 15/16 (2513)
Rgh. Opg.	6-0 13/16 (1849)	7-6 13/16 (2307)	8-0 13/16 (2459)
Frame Size	5-11 13/16 (1824)	7-5 13/16 (2281)	7-11 13/16 (2434)

1-8 1/4 (514)			
1-6 1/2 (470)			
1-6 (457)			
2-2 1/4 (667)			
2-0 1/2 (622)			
2-0 (610)			
2-8 1/4 (819)			
2-6 1/2 (775)			
2-6 (762)			

Mas. Opg.	9-2 15/16 (2818)	10-8 15/16 (3275)
Rgh. Opg.	9-0 13/16 (2764)	10-6 13/16 (3221)
Frame Size	8-11 13/16 (2738)	10-5 13/16 (3196)

1-8 1/4 (514)		
1-6 1/2 (470)		
1-6 (457)		
2-2 1/4 (667)		
2-0 1/2 (622)		
2-0 (610)		
2-8 1/4 (819)		
2-6 1/2 (775)		
2-6 (762)		

WOOD ULTIMATE OUTSWING FRENCH DOOR

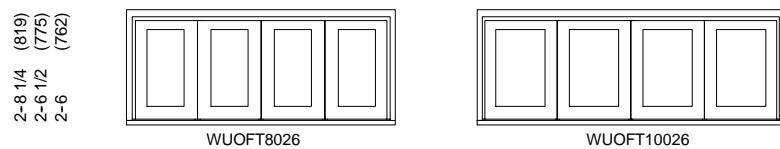
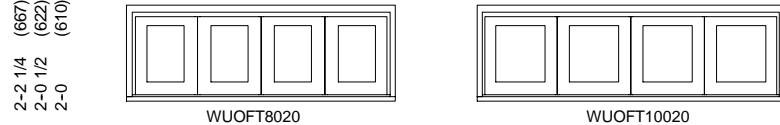
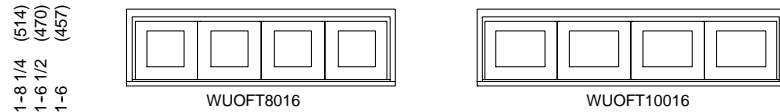
ELEVATIONS: 1 FRAME - 4 SASH TRANSOM

NOT TO SCALE

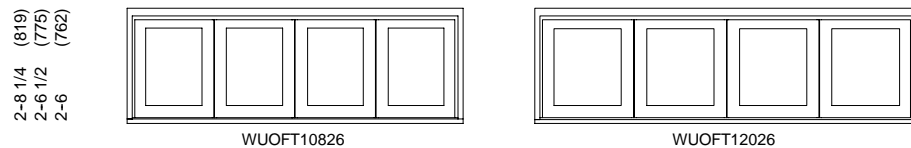
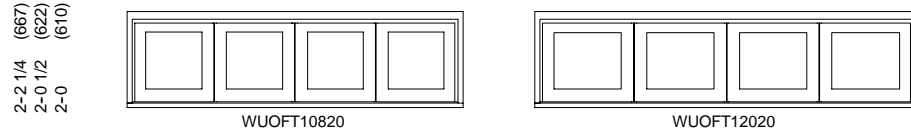
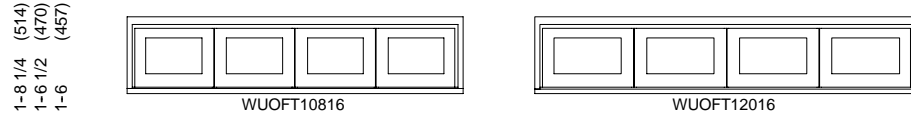
CAUTION: It is recommended that a minimum of 1/4" be added to the rough opening height when using a rigid sill pan product such as Marvin SillGuard™.

1 Frame - 4 Sash Transom Elevations

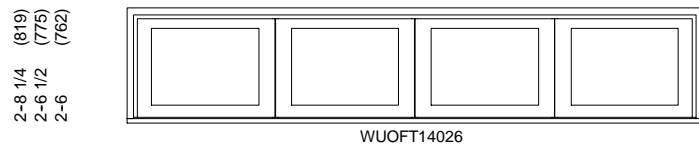
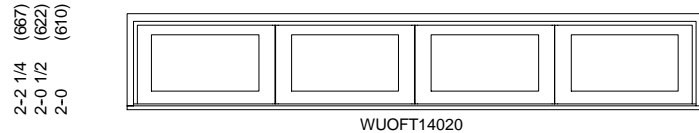
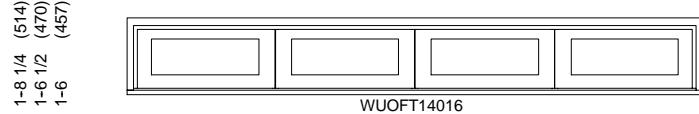
Mas. Opg.	8-2 1/8 (2492)	10-2 1/8 (3102)
Rgh. Opg.	8-0 (2438)	10-0 (3048)
Frame Size	7-11 (2413)	9-11 (3023)



Mas. Opg.	10-10 1/8 (3305)	12-2 1/8 (3712)
Rgh. Opg.	10-8 (3251)	12-0 (3658)
Frame Size	10-7 (3226)	11-11 (3632)



Mas. Opg.	14-2 1/8 (4321)
Rgh. Opg.	14-0 (4267)
Frame Size	13-11 (4242)









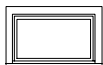
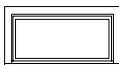
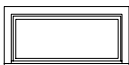
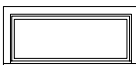
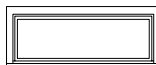
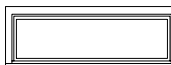
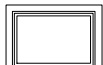
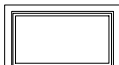
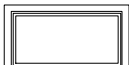
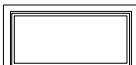
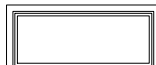
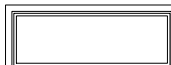
WOOD ULTIMATE OUTSWING FRENCH DOOR

ELEVATIONS: DIRECT GLAZE TRANSOM

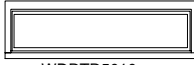

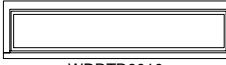









NOT TO SCALE

CAUTION: It is recommended that a minimum of 1/4" be added to the rough opening height when using a rigid sill pan product such as Marvin SillGuard™.


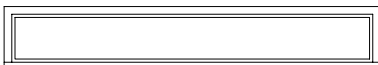

Mas. Opp.	2-4 9/16 (726)	2-10 9/16 (878)	3-0 9/16 (929)	3-4 9/16 (1030)	3-10 9/16 (1183)	4-3 3/4 (1314)
Rgh. Opp.	2-2 7/16 (672)	2-8 7/16 (824)	2-10 7/16 (875)	3-2 7/16 (976)	3-8 7/16 (1129)	4-1 5/8 (1260)
Frame Size	2-1 7/16 (646)	2-7 7/16 (799)	2-9 7/16 (849)	3-1 7/16 (951)	3-7 7/16 (1103)	4-0 5/8 (1235)

1-2 1/4 (362)						
1-2 1/4 (318)						
1-0 1/2 (305)						
1-4 1/4 (413)						
1-4 1/4 (368)						
1-2 1/2 (356)						
1-6 1/2 (514)						
1-6 1/2 (470)						
1-6 (457)						

Mas. Opp.	5-3 3/4 (1619)	5-7 3/4 (1721)	6-3 3/4 (1924)	7-3 3/4 (2229)
Rgh. Opp.	5-1 5/8 (1565)	5-5 5/8 (1667)	6-1 5/8 (1870)	7-1 5/8 (2175)
Frame Size	5-0 5/8 (1540)	5-4 5/8 (1641)	6-0 5/8 (1845)	7-0 5/8 (2149)

1-2 1/4 (362)				
1-2 1/4 (318)				
1-0 1/2 (305)				
1-4 1/4 (413)				
1-4 1/4 (368)				
1-2 1/2 (356)				
1-6 1/2 (514)				
1-6 1/2 (470)				
1-6 (457)				

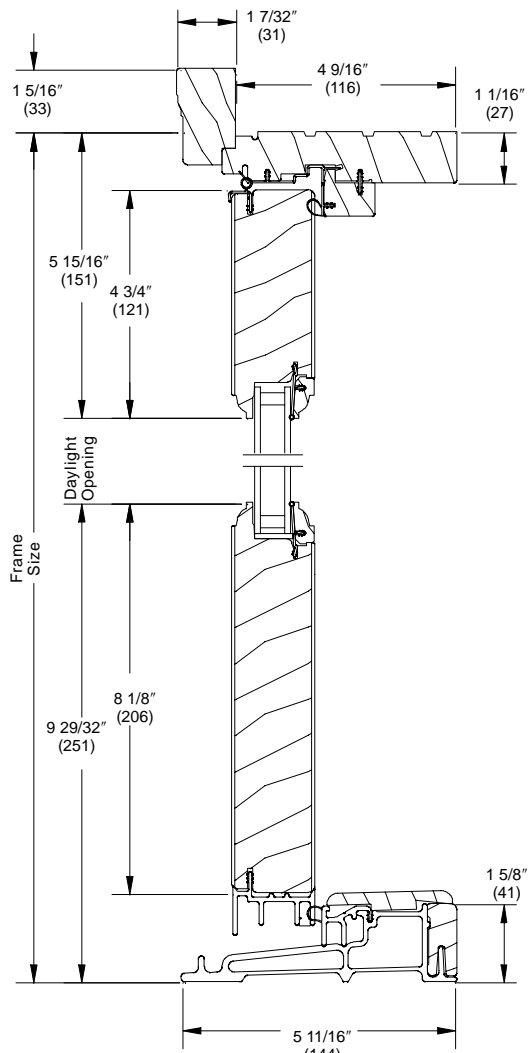
Mas. Opp.	8-3 3/4 (2534)
Rgh. Opp.	8-1 5/8 (2480)
Frame Size	8-0 5/8 (2454)

1-2 1/4 (362)	
1-2 1/4 (318)	
1-0 1/2 (305)	
1-4 1/4 (413)	
1-4 1/4 (368)	
1-2 1/2 (356)	
1-6 1/2 (514)	
1-6 1/2 (470)	
1-6 (457)	

WOOD ULTIMATE OUTSWING FRENCH DOOR

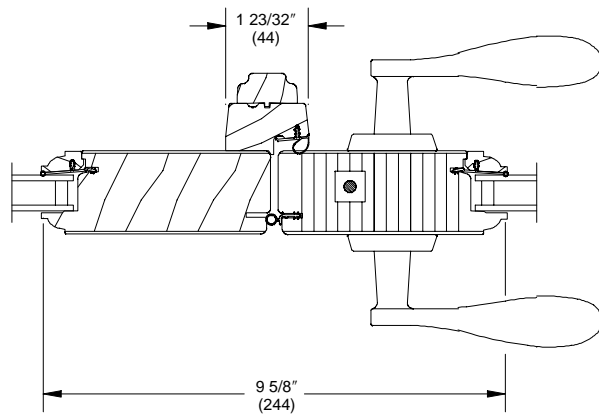
SECTION DETAILS: 4 9/16" OPERATING

SCALE: 3" = 1' 0"

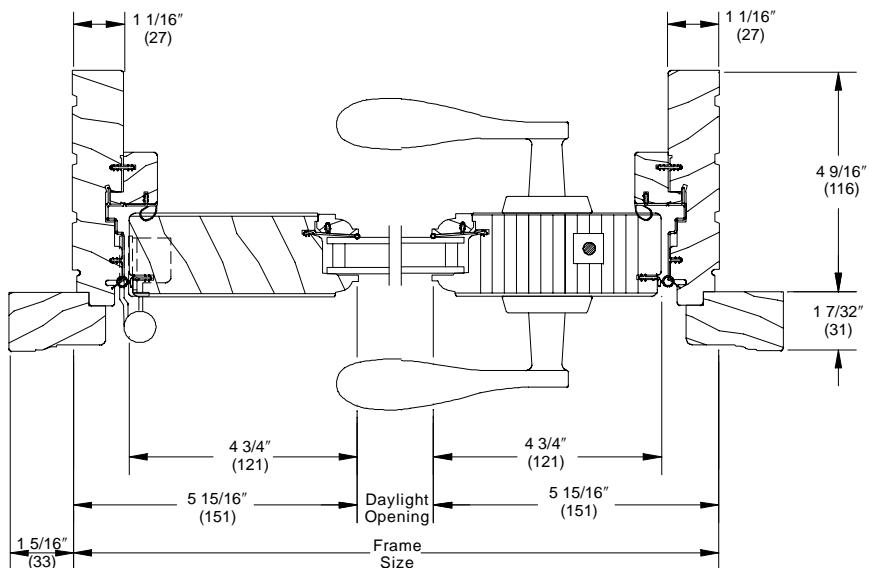


Head Jamb and Sill

Operating



OX L - Meeting Stiles



X R Jamb

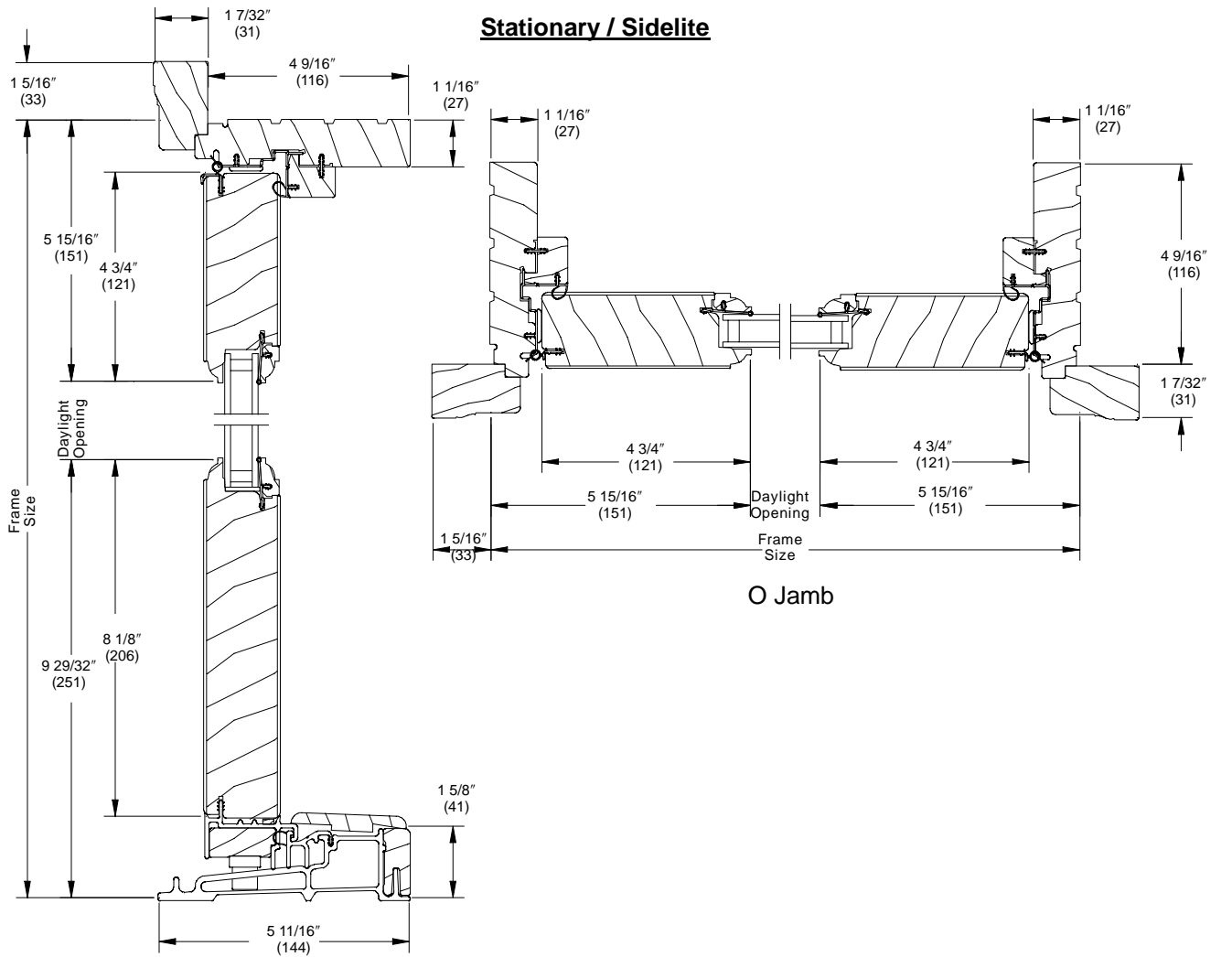
NOTE:

Shown with optional handle set and optional sill cover.
Operation as viewed from exterior.
Refer to panel hinging configurations page for operations available.

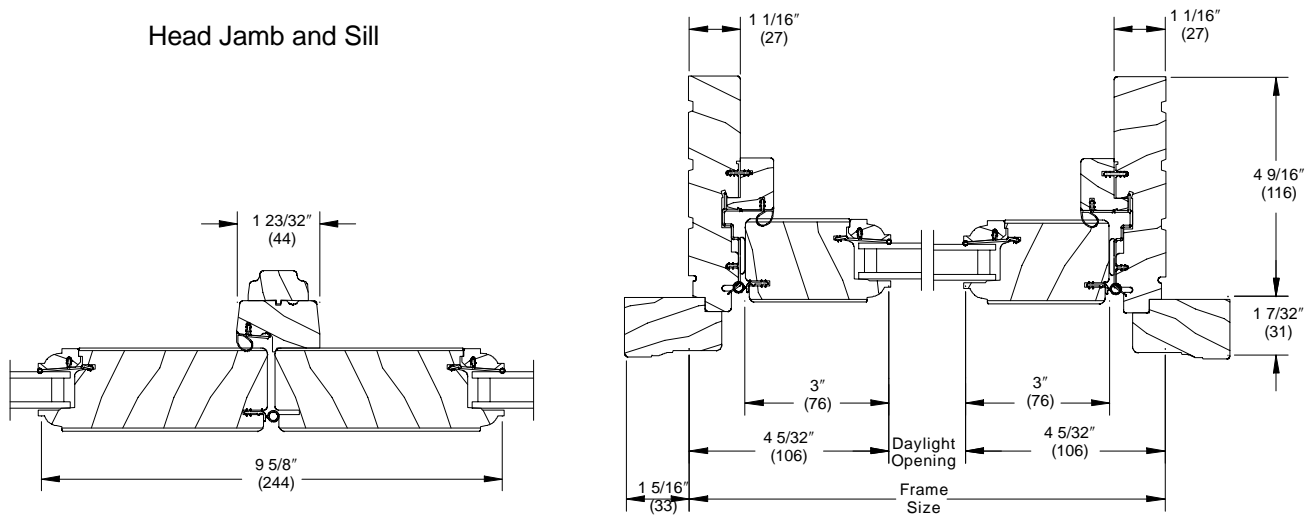
WOOD ULTIMATE OUTSWING FRENCH DOOR

SECTION DETAILS: 4 9/16" STATIONARY / SIDELITE

SCALE: 3" = 1' 0"



Head Jamb and Sill



OO - Meeting Stiles

Sidelite Jamb

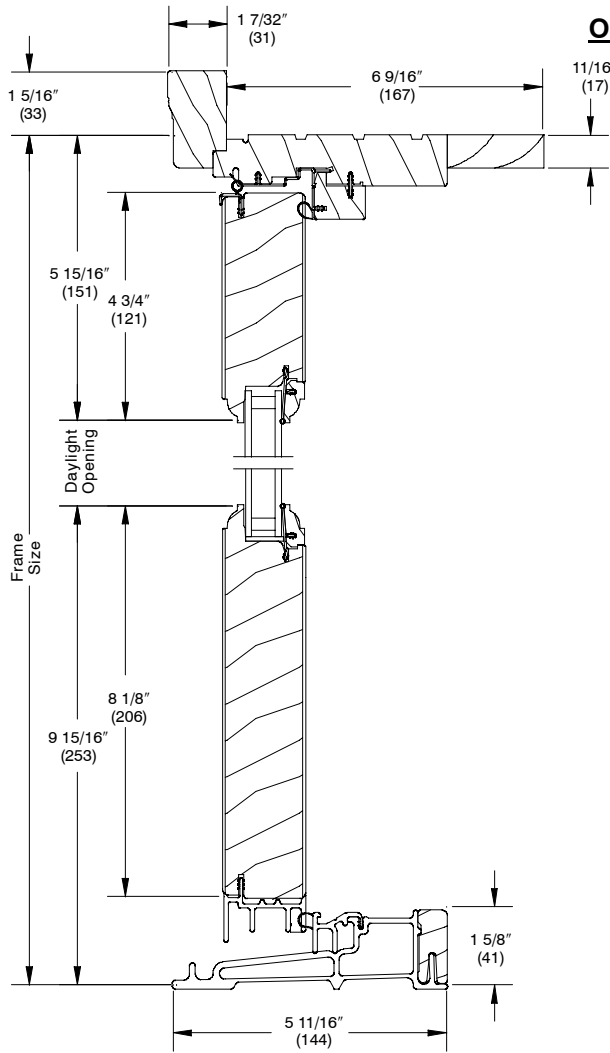
NOTE:

Shown with optional sill cover.

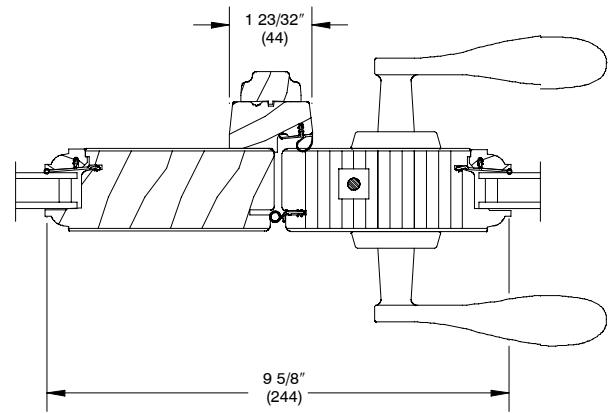
WOOD ULTIMATE OUTSWING FRENCH DOOR

SECTION DETAILS: 6 9/16" OPERATING

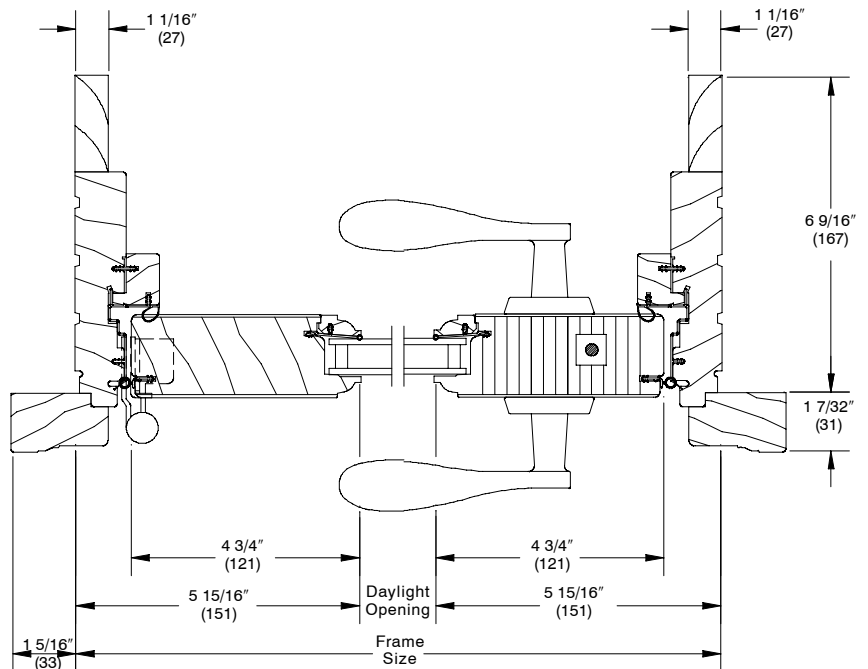
SCALE: 3" = 1' 0"



Head Jamb and Sill



OX L - Meeting Stiles



X R Jamb

NOTE:

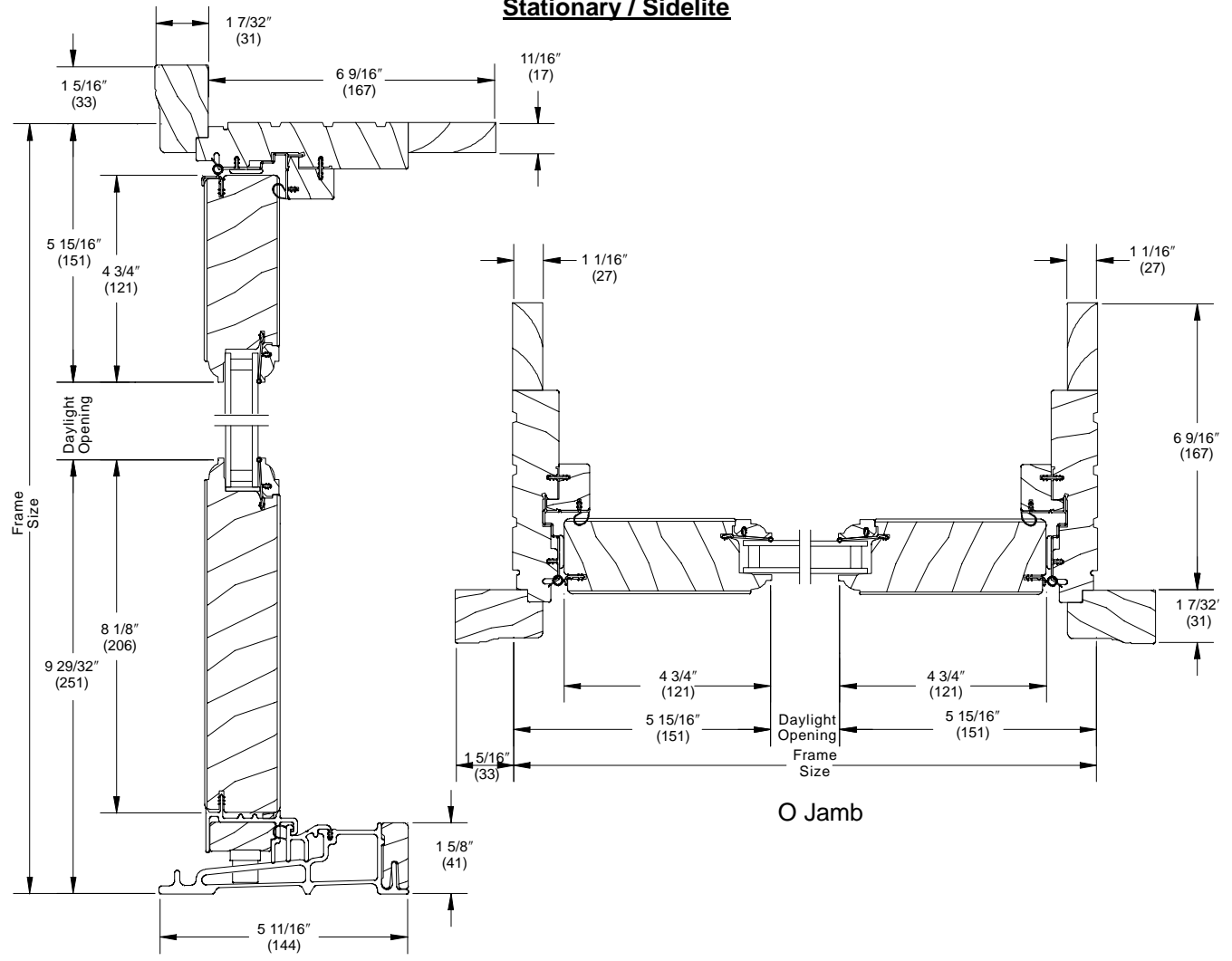
Shown with optional handle set.
Operation as viewed from exterior.
Refer to panel hinging configurations page for operations available.

WOOD ULTIMATE OUTSWING FRENCH DOOR

SECTION DETAILS: 6 9/16" STATIONARY / SIDELITE

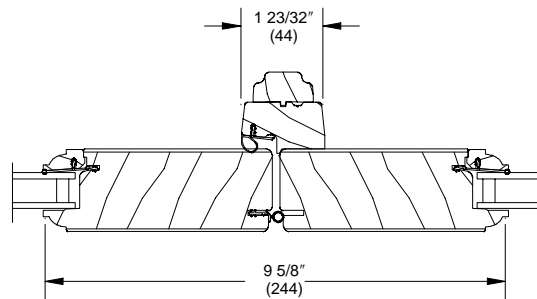
SCALE: 3" = 1' 0"

Stationary / Sidelite

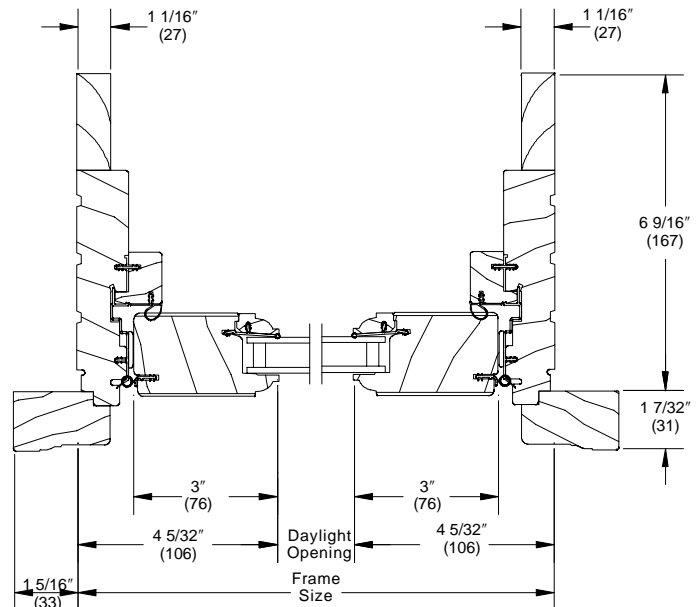


Head Jamb and Sill

O Jamb



OO - Meeting Stiles



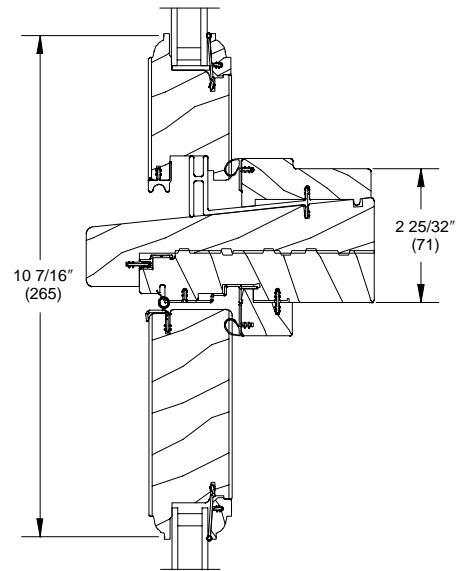
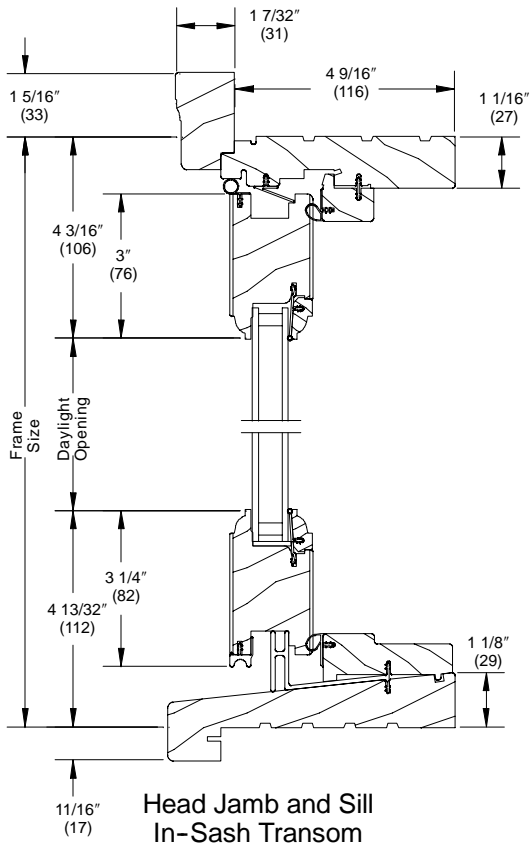
Sidelite Jamb

WOOD ULTIMATE OUTSWING FRENCH DOOR

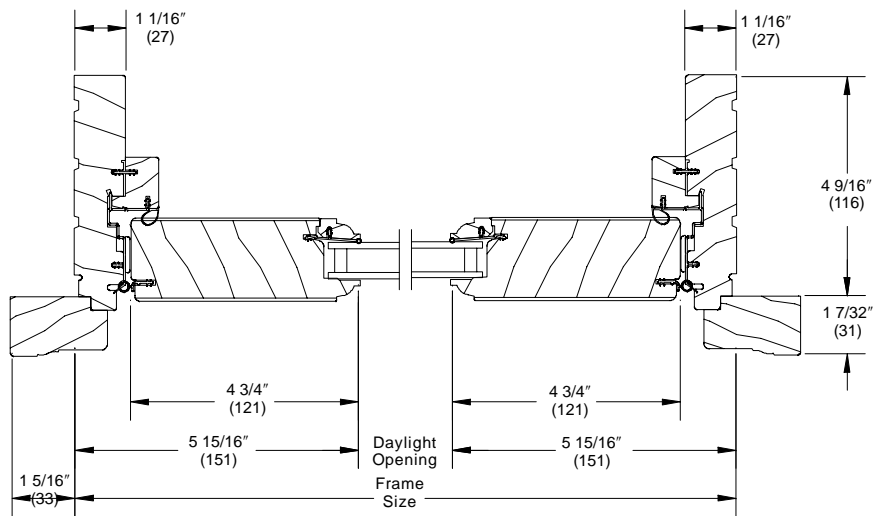
SECTION DETAILS: 4 9/16" IN-SASH TRANSM AND MULLION

SCALE: 3" = 1' 0"

4 9/16"



Rectangular In-Sash Transom
over Outswing French Door



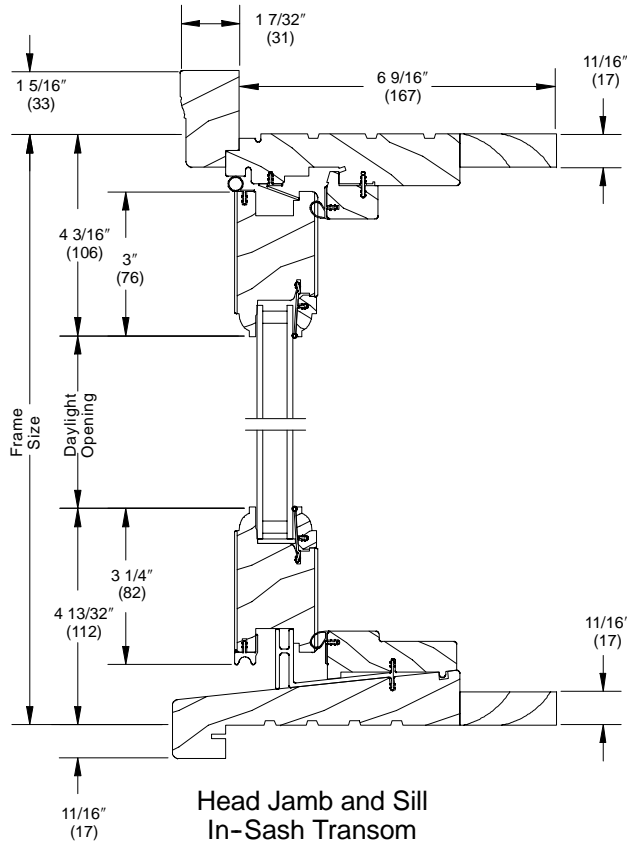
O Transom Jamb

WOOD ULTIMATE OUTSWING FRENCH DOOR

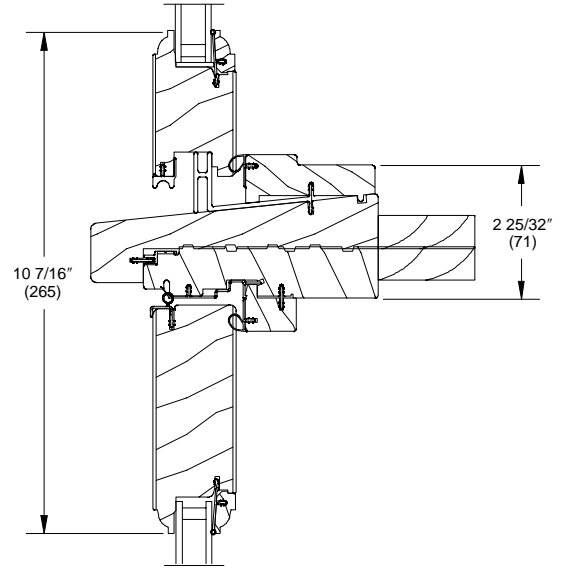
SECTION DETAILS: 6 9/16" IN-SASH TRANSM AND MULLION

SCALE: 3" = 1' 0"

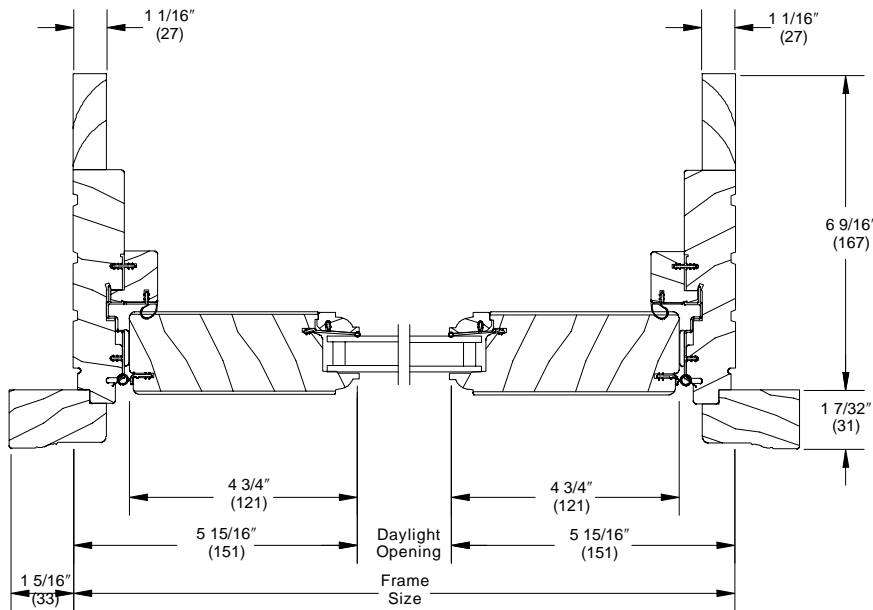
6 9/16"



**Head Jamb and Sill
In-Sash Transom**



**Rectangular In-Sash Transom
over Outswing French Door**



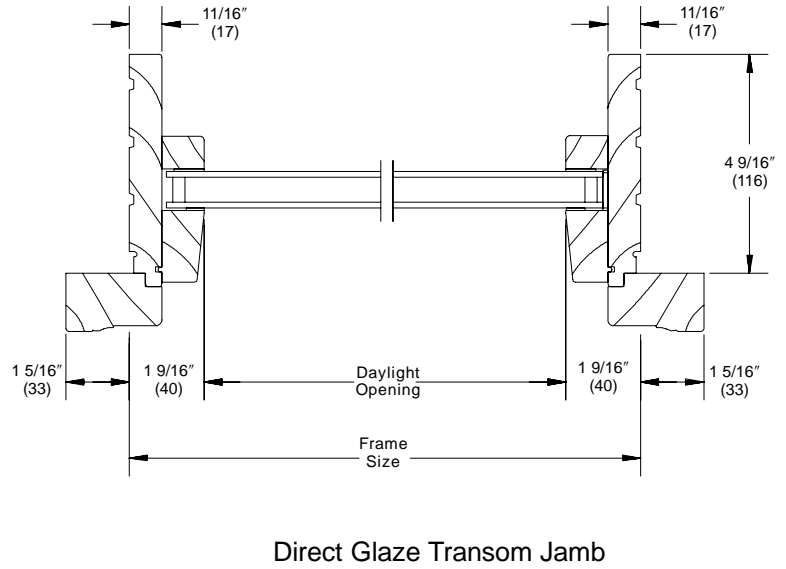
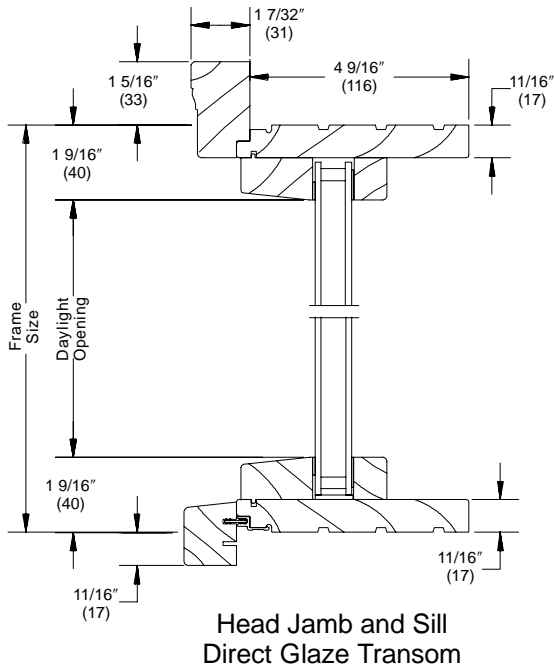
O Transom Jamb

WOOD ULTIMATE OUTSWING FRENCH DOOR

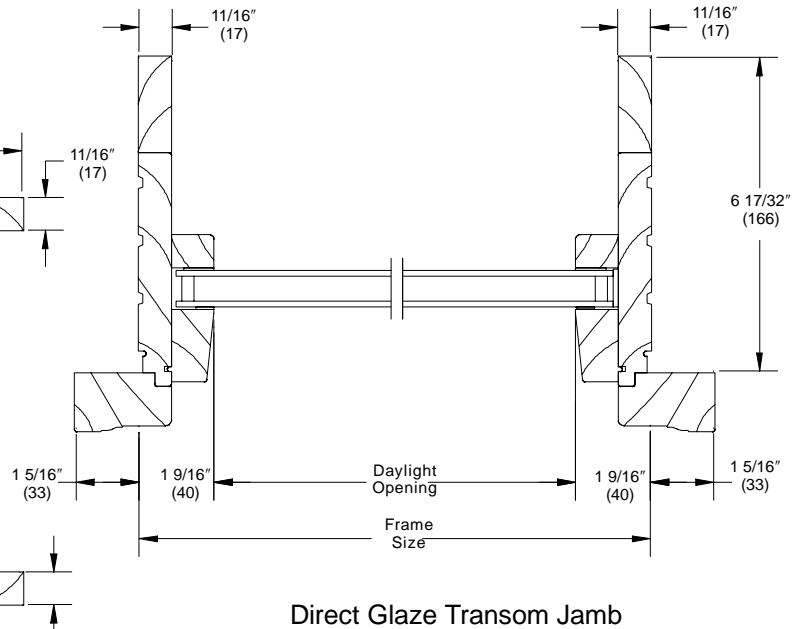
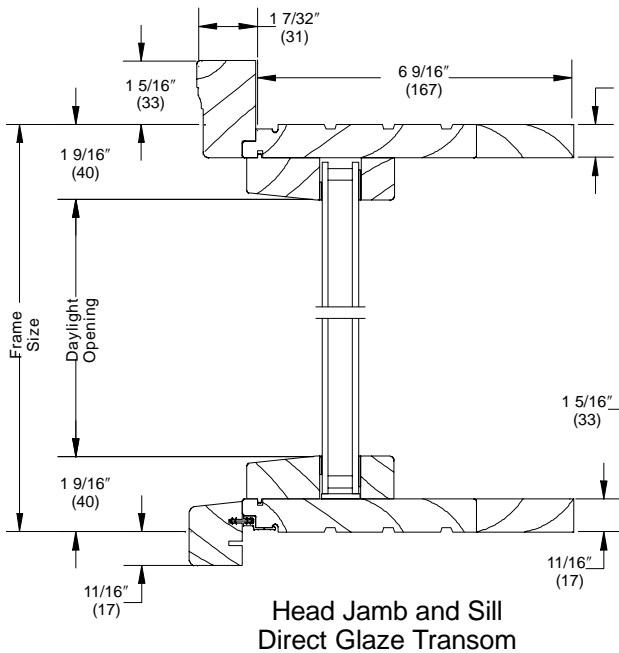
SECTION DETAILS: 4 9/16" AND 6 9/16" DIRECT GLAZE TRANSOM

SCALE: 3" = 1' 0"

4 9/16"



6 9/16"

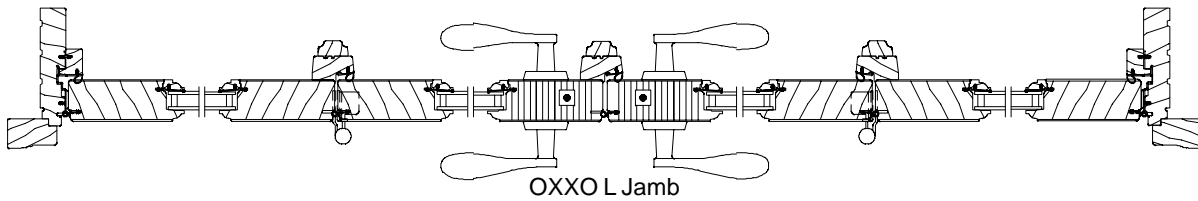
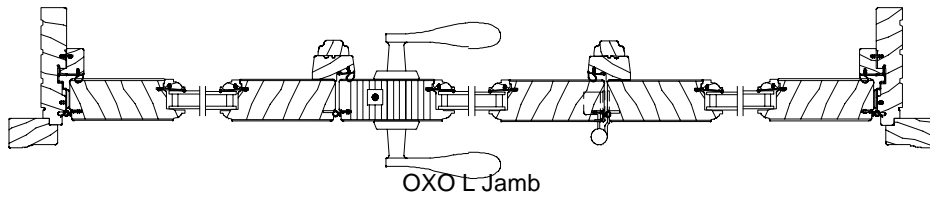
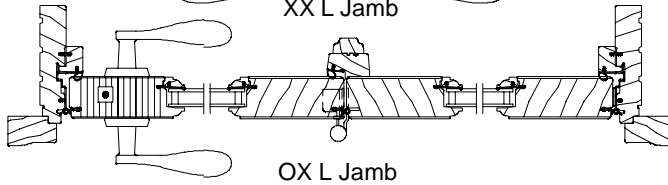
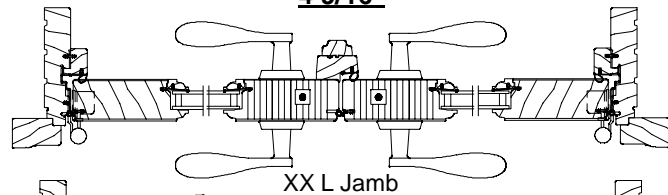


WOOD ULTIMATE OUTSWING FRENCH DOOR

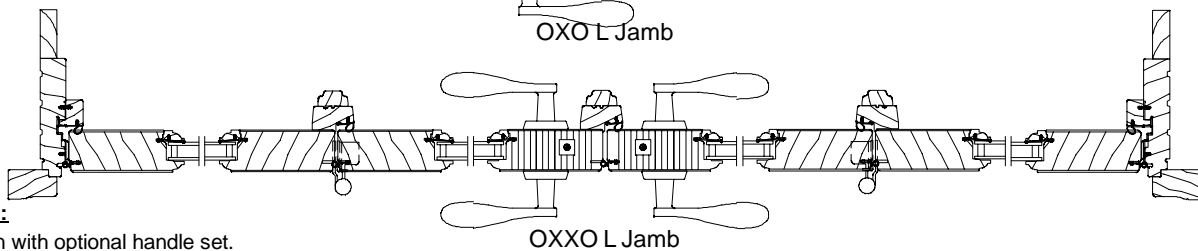
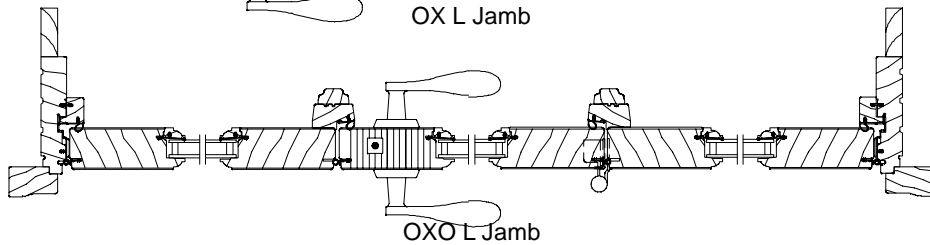
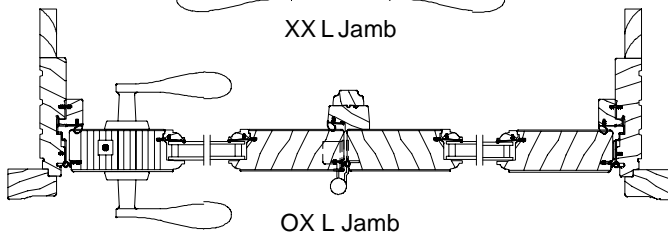
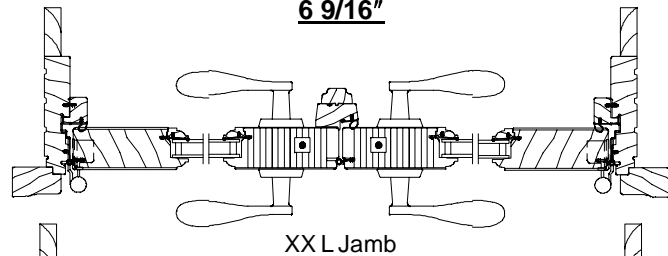
SECTION DETAILS: 4 9/16" AND 6 9/16" JAMBS

NOT TO SCALE

4 9/16"



6 9/16"



NOTE:

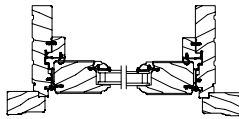
Shown with optional handle set.
Operation as viewed from exterior.
Refer to panel hinging configurations page for operations available.

WOOD ULTIMATE OUTSWING FRENCH DOOR

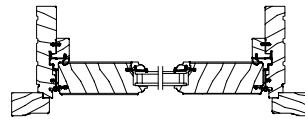
SECTION DETAILS: 4 9/16" AND 6 9/16" TRANSOM JAMBS AND SIDELITES

NOT TO SCALE

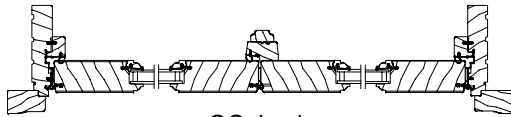
4 9/16"



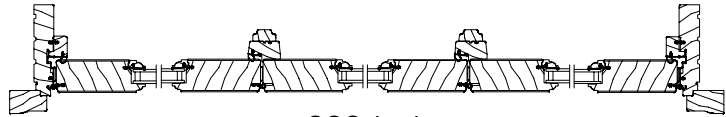
Sidelite Jamb
1 Frame 1 Sash



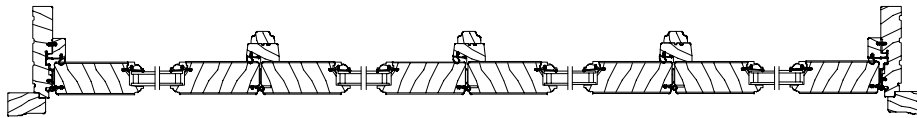
O Jamb
1 Frame 1 Sash



OO Jamb
1 Frame 2 Sash

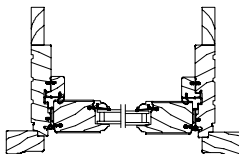


OOO Jamb
1 Frame 3 Sash

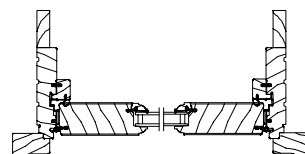


OOOO Jamb
1 Frame 4 Sash

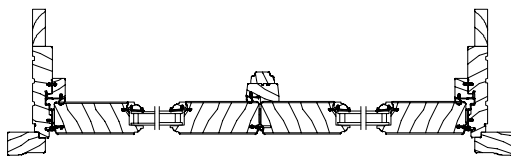
6 9/16"



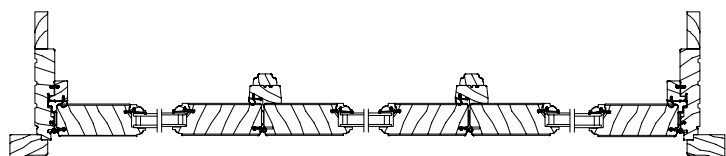
Sidelite Jamb
1 Frame 1 Sash



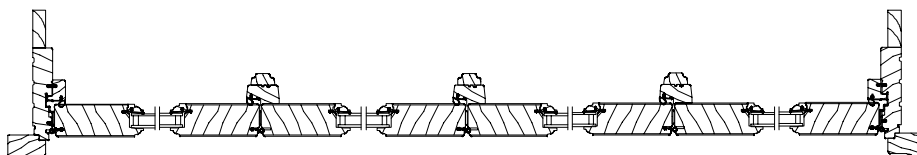
O Jamb
1 Frame 1 Sash



OO Jamb
1 Frame 2 Sash



OOO Jamb
1 Frame 3 Sash



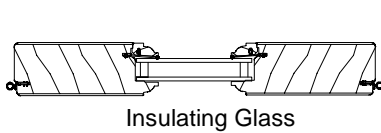
OOOO Jamb
1 Frame 4 Sash

WOOD ULTIMATE OUTSWING FRENCH DOOR

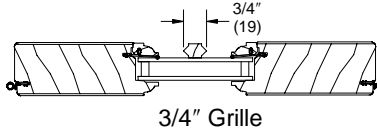
SECTION DETAILS: DIVIDED LITE OPTIONS

NOT TO SCALE

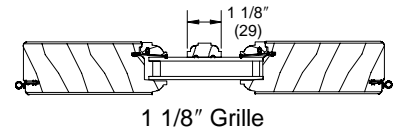
Insulating Glass



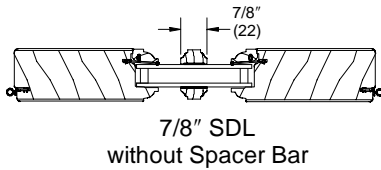
Insulating Glass



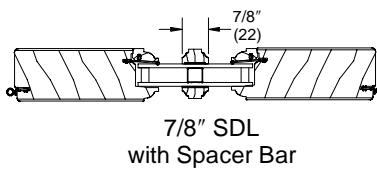
3/4" Grille



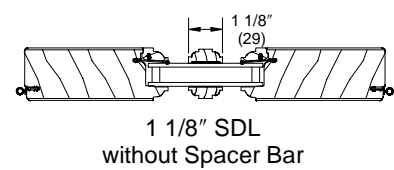
1 1/8" Grille



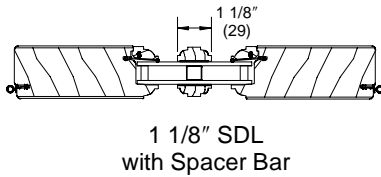
7/8" SDL
without Spacer Bar



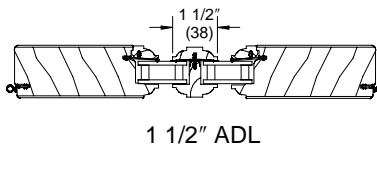
7/8" SDL
with Spacer Bar



1 1/8" SDL
without Spacer Bar

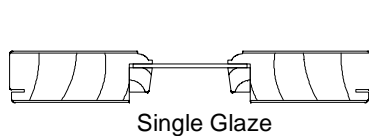


1 1/8" SDL
with Spacer Bar

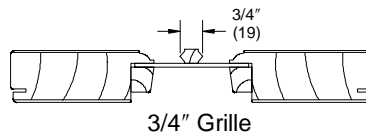


1 1/2" ADL

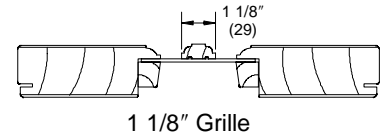
Single Glaze



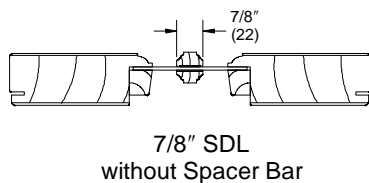
Single Glaze



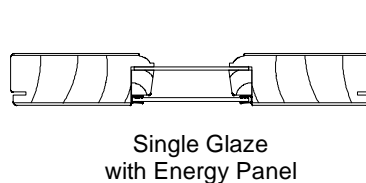
3/4" Grille



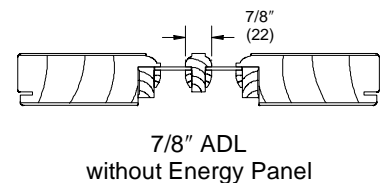
1 1/8" Grille



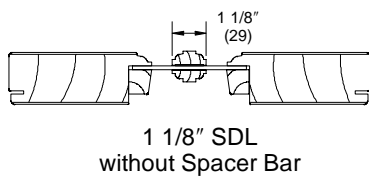
7/8" SDL
without Spacer Bar



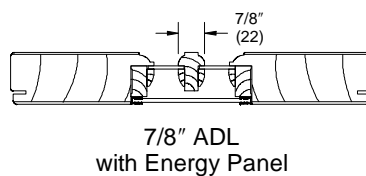
Single Glaze
with Energy Panel



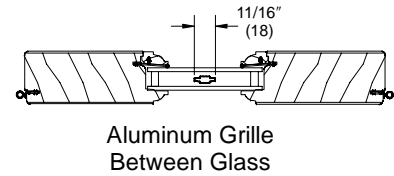
7/8" ADL
without Energy Panel



1 1/8" SDL
without Spacer Bar



7/8" ADL
with Energy Panel



Aluminum Grille
Between Glass

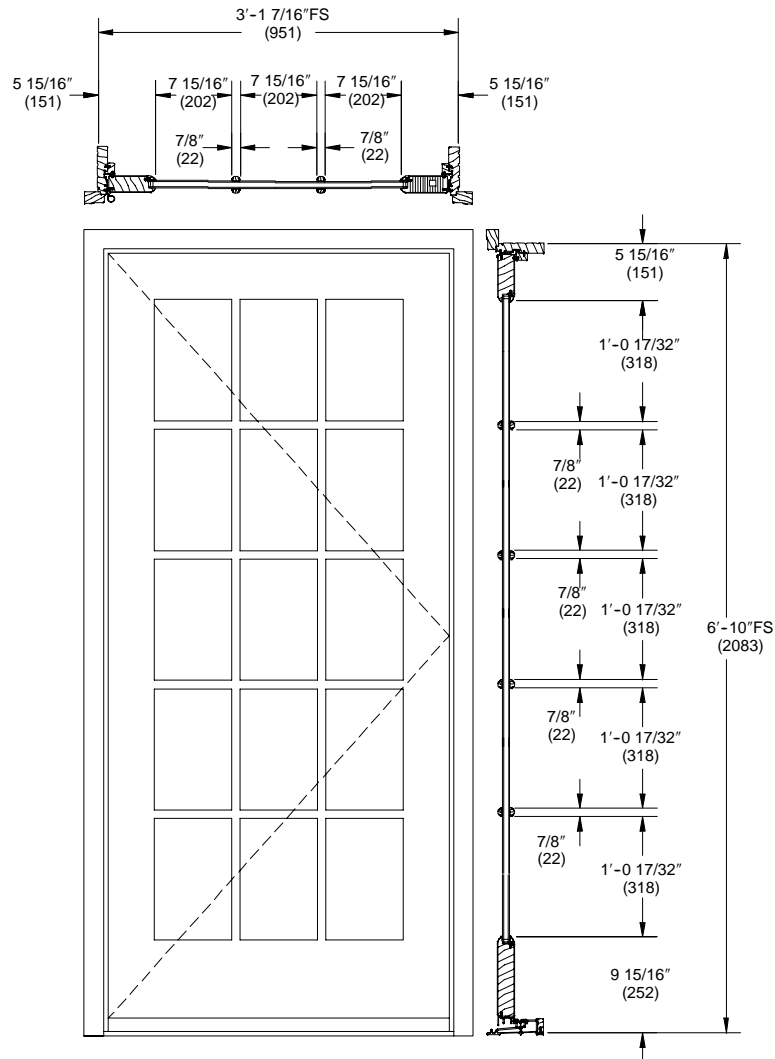
NOTE:

Grille = Removable interior divider
SDL = Simulated divided lite
ADL = Authentic divided lite

WOOD ULTIMATE OUTSWING FRENCH DOOR

DAYLIGHT OPENING CONVERSIONS

NOT TO SCALE



Conversion Formula:

$$\frac{\text{DLO} - \text{Total Bar Width}}{\text{Number of Lites}} = \text{Individual DLO}$$

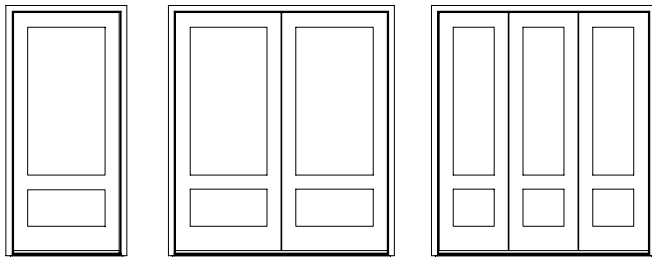
NOTE:

For additional information on individual daylight openings please contact your Marvin representative.

WOOD ULTIMATE OUTSWING FRENCH DOOR

FLAT PANEL PLACEMENT

NOT TO SCALE



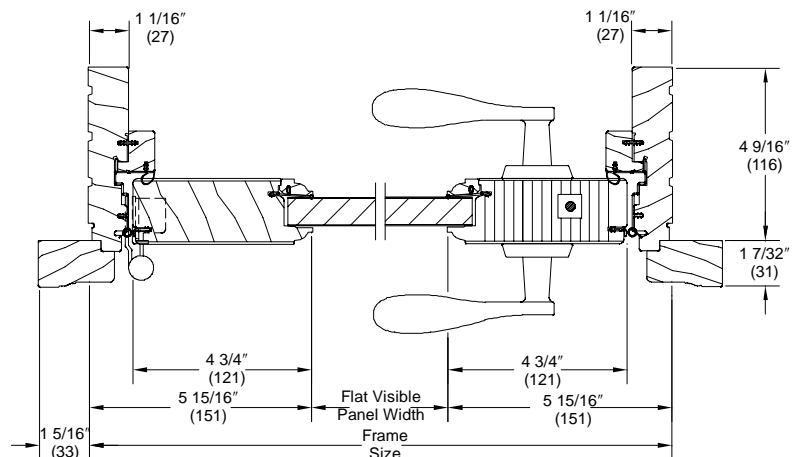
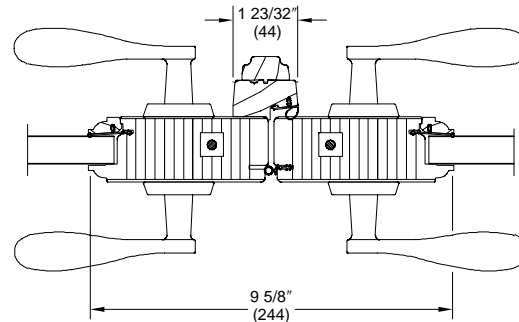
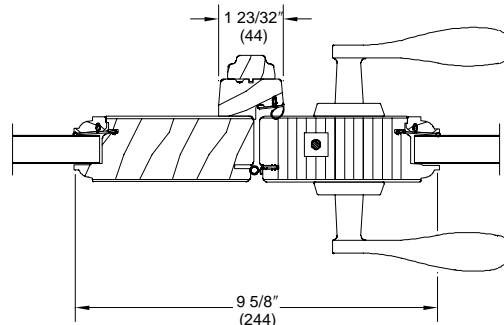
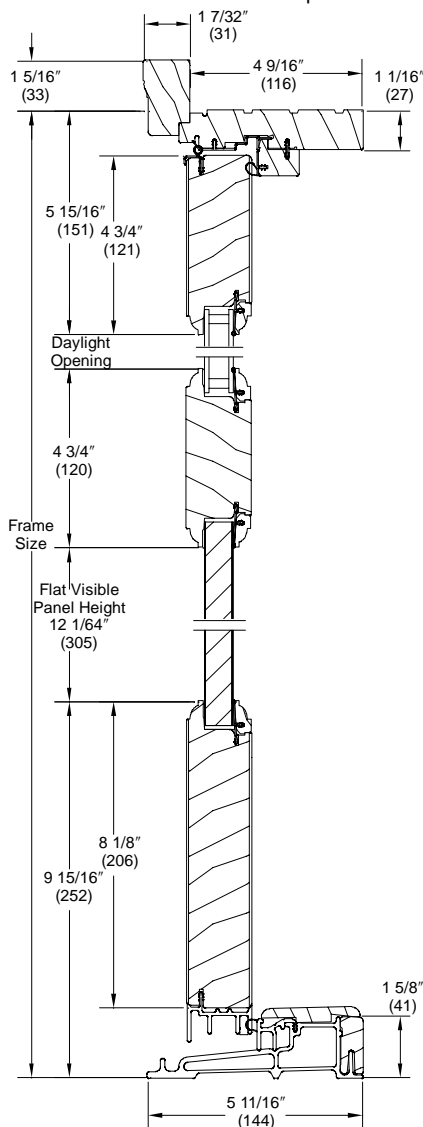
Wood Flat panel is constructed of medium density fiberboard (MDF) core with wood laminated veneer to interior and exterior. Available bare wood or primed interior and exterior. Alternative wood species include mahogany and vertical grain Douglas fir.

Flat Panel - Standard Configuration

Option is available for all 6/8, 7/0 and 8/0 height French Door panels and Sidelites at one standard flat panel height. It is not available on 6/6 height doors.

To calculate the Visible Flat Panel Height:

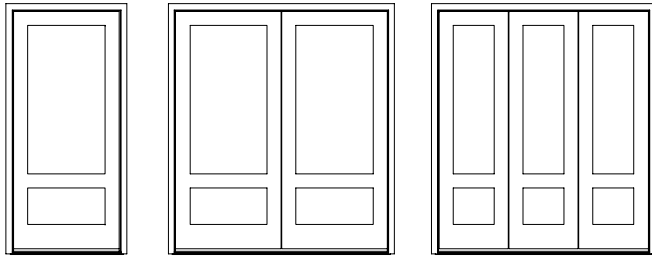
- 4 3/4" intermediate rail
- Placement is 24 5/16" on center of intermediate rail to bottom of door sill
- Flat panel visible height is 12 1/64"



WOOD ULTIMATE OUTSWING FRENCH DOOR

RAISED PANEL PLACEMENT

NOT TO SCALE



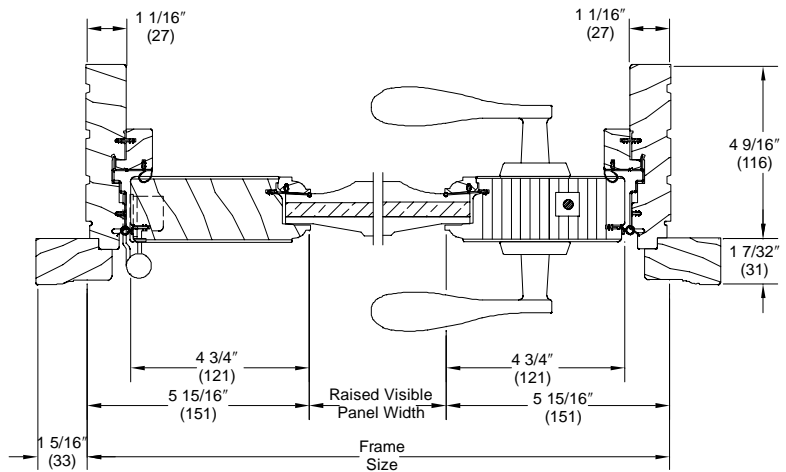
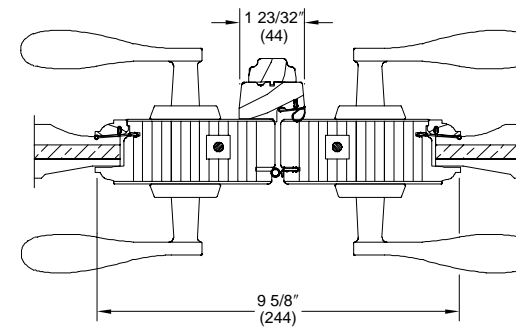
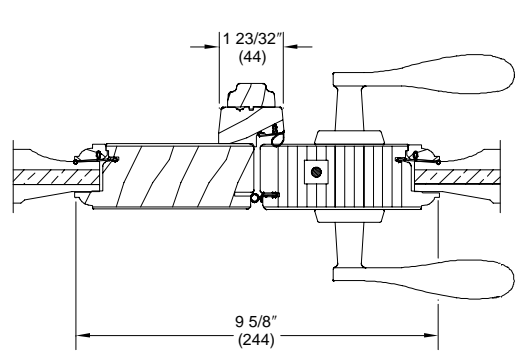
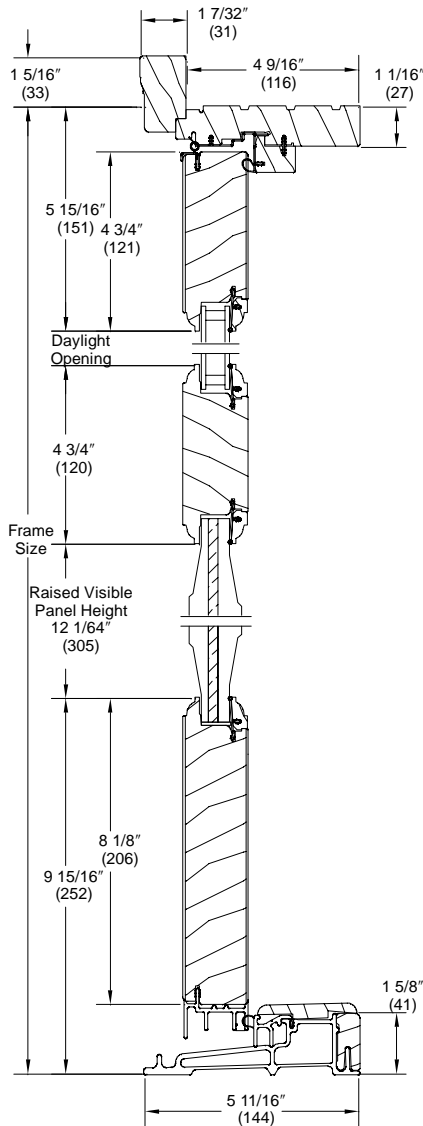
Wood Raised panel is constructed of medium density fiberboard (MDF) core with wood laminated veneer to interior and exterior. Available bare wood or primed interior and exterior. Alternative wood species include mahogany and vertical grain Douglas fir.

Raised Panel - Standard Configuration

Option is available for all 6/8, 7/0 and 8/0 height French Door panels and Sidelites at one standard raised panel height. It is not available on 6/6 height doors.

To calculate the Visible Raised Panel Height:

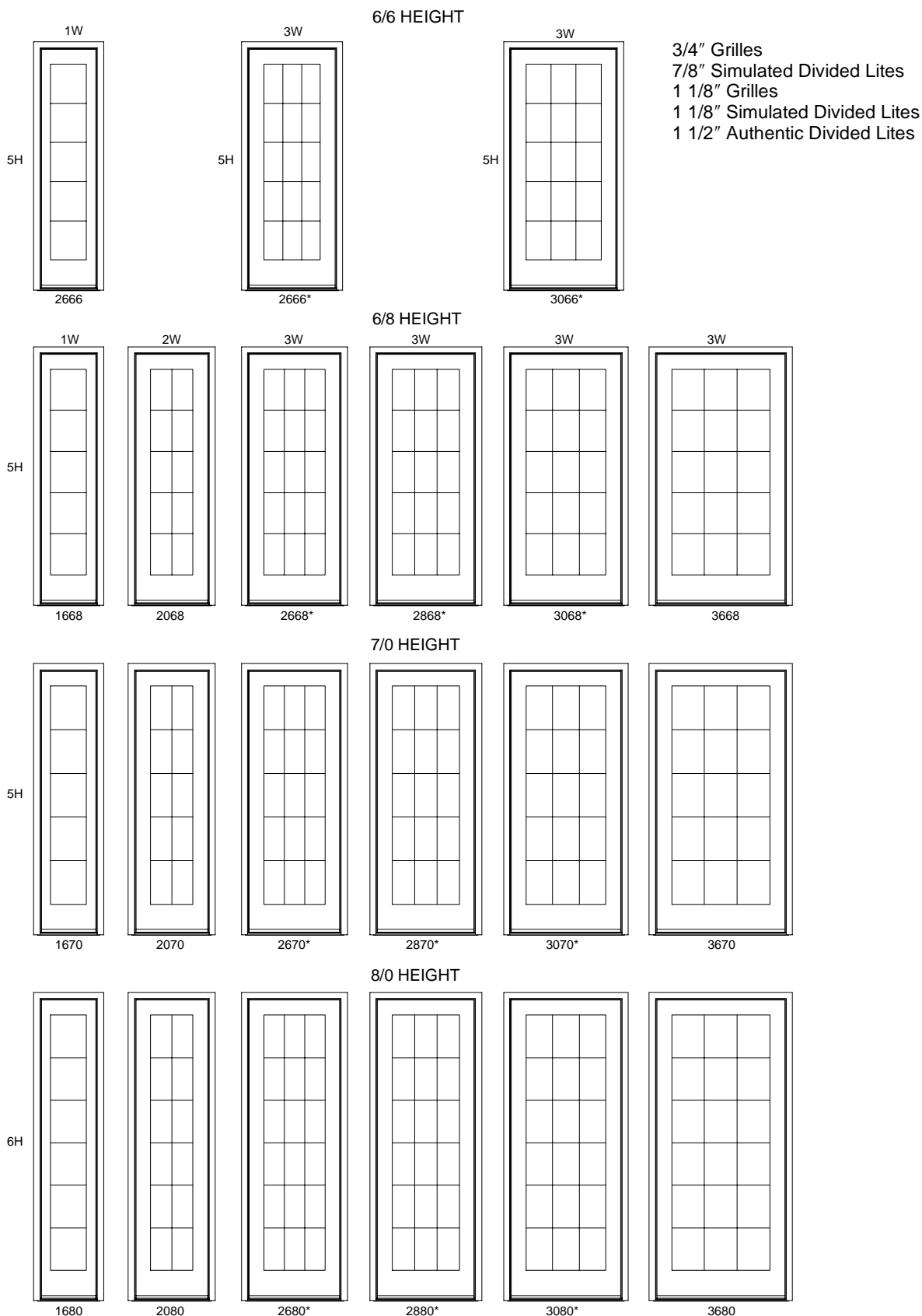
- 4 3/4" intermediate rail
- Placement is 24 5/16" on center of intermediate rail to bottom of door sill
- Raised panel visible height is 12 1/64"



WOOD ULTIMATE OUTSWING FRENCH DOOR

STANDARD GRILLE, SDL, and ADL

NOT TO SCALE



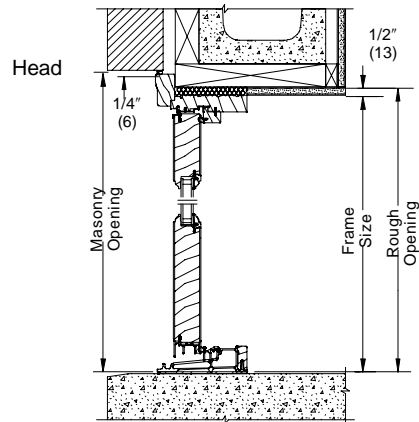
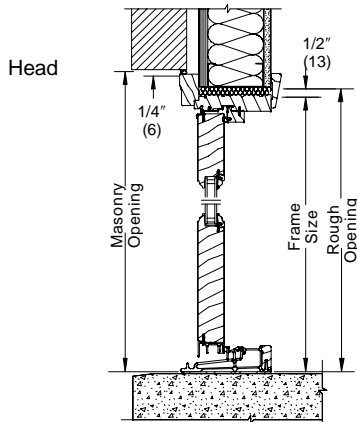
NOTE:

* Units available in both 2 and 3 wide standard grille, SDL and ADL cuts.

WOOD ULTIMATE OUTSWING FRENCH DOOR

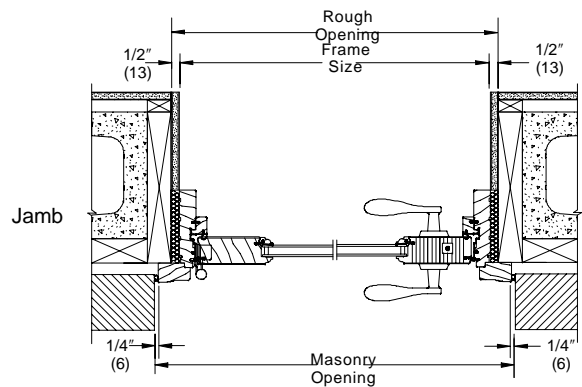
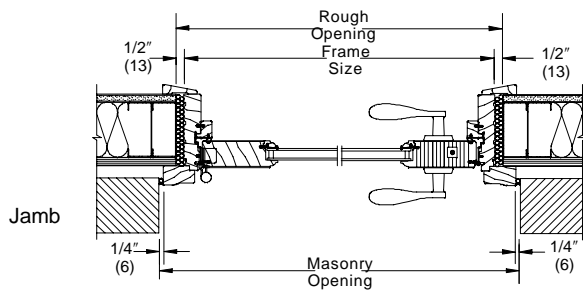
SECTION DETAILS: CONSTRUCTION

NOT TO SCALE



Sill

Sill



Brick Veneer with Steel Stud Construction

Brick Veneer with Concrete Block Construction

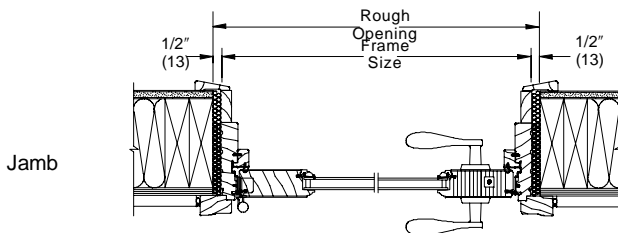
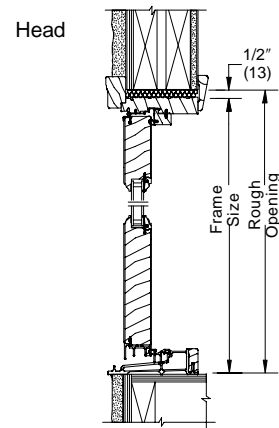
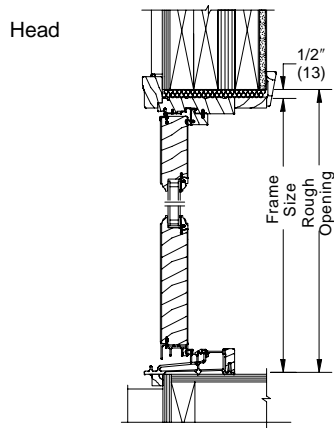
NOTE:

The above wall sections represent typical wall conditions, these details are not intended as installation instructions. Please refer to the installation instructions provided with the purchased units.

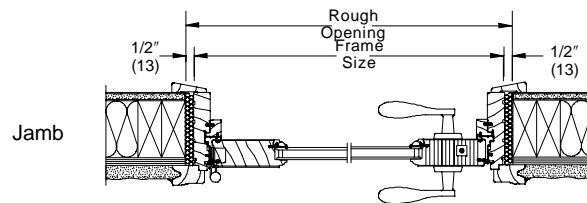
WOOD ULTIMATE OUTSWING FRENCH DOOR

SECTION DETAILS: CONSTRUCTION

NOT TO SCALE



Wood Siding with 2x6
Frame Construction



Stucco with 2x4
Frame Construction

NOTE:

The above wall sections represent typical wall conditions, these details are not intended as installation instructions. Please refer to the installation instructions provided with the purchased units.