

CHAPTER 6

CLAD GLIDER

Product Information

Unit Features	6.2
NFRC Values / Minimum and Maximum Values	6.3
Egress, Lite and Vent Information / Design Pressure	6.4
Measurement Conversion Values	6.5

Elevations and Sections

Elevations: Operating and Stationary	6.8
Section Details: Operating	6.9
Section Details: Picture and Casings	6.10
Section Details: Combination and Mullions	6.11
Section Details: Divided Lite Options	6.12
Daylight Opening Conversions	6.13
Section Details: Standard Divided Lite Patterns	6.14
Section Details: Construction	6.15

NOTE:

Specifications and technical data are subject to change without notice.

Allow 1/16" (2) tolerance on all measurements.

Metric measurements are shown in parenthesis.

For accessories dimensions and applications see the Accessories section of this manual.

For technical assistance about Marvin products you may call our Architectural Hotline 1-800-346-3363 or visit our website: www.marvin.com.

CLAD GLIDER

UNIT FEATURES

Frame:

- Interior: Pine wood interior
- Exterior: Extruded aluminum, .055" (1.4) thick
- Frame thickness: Head 1 3/16" (30 mm)
- Frame thickness: Sill 1 3/32" (28mm)
- Frame width: 4 9/16" (116)

Sash:

- Interior: Pine wood interior
- Exterior: Extruded aluminum, 0.050" (1.3) thick
- Sash thickness: 1 3/8" (35 mm)
- Operating/Picture sash stile width: 2 5/32" (55)
- Operating/Picture sash Top rail width: 2 7/16" (62); Bottom Rail Width: 2 5/16" (59)
- Removable exterior vinyl glazing bead with extruded aluminum glazing cap on units with SDL or Evergreen color

Interior and exterior finish:

- Interior finish: Treated bare wood or white primed
- Exterior finish: Two coat finish system using Kynar® or Hylar® resins, meets or exceeds AAMA 2605 requirements. Color: Stone White, Bahama Brown, Bronze, Pebble Gray or Evergreen

Hardware:

- Lock: High pressure zinc die-cast cam lock and keeper at checkrail, two locks on call number 40 and over. Optional keyed lock. Finish: Phosphate coated and electrostatically painted Satin Taupe. Optional: Bronze, White, Plated Brass
- Sill track: Vinyl extrusion with foam backing. Color: Beige
- Finger Pull on operating sash

Weather Stripping:

- Continuous, leaf-type weather strip at jamb, dual durometer double leaf and secondary weather strip at meeting stile, and weather stripped sill track. Color: Beige

Jamb Extensions:

- Interior pine wood extensions available for various wall thickness factory applied, finish to match interior

Insect Screens:

- Aluminum Screens: Factory installed half screen, screen covers operating sash opening and is removable to interior. Frame Color: Satin Taupe. Optional Stone White or Bronze.
- Screen mesh: 18 by 16 Charcoal fiberglass. Optional screen mesh: Charcoal aluminum wire, Black aluminum wire, Bright aluminum wire, Bright bronze wire
- Optional High Transparency screen mesh (Hi-Tran) 20 x 20 charcoal fiberglass.

Combination Storm Sash and Screen:

- Frame: Extruded Aluminum 0.055" (1.4) thick. Color: Stone White, Bronze, Bahama brown, Pebble Gray or Evergreen
- Hardware: Metal pulls on sliding storm panels
- Weather-stripping: Pile weather-strip on center cross member seals against operating panel in closed position

Removable Interior Grilles:

- Bar: Pine wood, 3/4" (19) or 1 1/8" (29) wide
- Pattern: Rectangular, custom lite layouts available, contact your Marvin representative

Interior / Exterior Simulated Divided Lites (SDL):

- Interior bar: Pine wood, 7/8" (22) or 1 1/8" (29) wide bars.
- Exterior bar: Extruded aluminum clad, 7/8" (22) or 1 1/8" (29) wide bars, finish to match exterior
- Pattern: Rectangular, custom lite layouts available, contact your Marvin representative
- Installation method: Factory applied with acrylic foam tape

Grilles-between-the-glass (GBG):

- 11/16" (17mm) white contoured aluminum bar. Optional flat aluminum spacer bar, contact your Marvin representative

Glass and Glazing:

- Glazing method: Insulated glass, hermetically sealed
- Glazing seal: Silicon glazed
- Glazing type: Clear glass, optional glass types: Low E II with argon, Laminated, Tempered, Obscure, Bronze tint, Gray tint, and Reflective Bronze
- Insulated glass will be altitude adjusted for higher elevations, argon gas not included

Accessories:

- Installation brackets: 6 3/8" (162), 9 3/8" (238), or 15 3/8" (390)
- Masonry brackets: 6" (152) or 10" (254)
- Nailing fin: Head jamb fin/drip cap, side jamb and sill fin. Head nailing fin with drip cap not designed to replace proper flashing
- Marvin SillGuard™
- Aluminum extrusions: Brick mould casing, Flat casing, various special casings, Mullion cover, Frame expander, Mullion expander, Jamb extender

Note:

Values shown in parenthesis represent metric equivalents
For product specifications please refer to the CSI Product Specifications, contact your Marvin representative

CLAD GLIDER

NFRC UNIT VALUES / MINIMUM AND MAXIMUM MEASUREMENTS

NFRC Unit Values					
Glazing Type	U-Factor	R-Value	Solar Heat Gain Coefficient	Visible Light Transmittance	Energy Star
Operating / Stationary					
Size Tested	59 x 47	59 x 47	59 x 47	59 x 47	
Insulating glass	0.53	1.89	0.58	0.61	-
Insulating glass - SDL	0.52	1.92	0.52	0.54	-
Insulating glass - SDL with spacer bars	0.52	1.92	0.52	0.54	-
Insulating Low E II glass	0.43	2.33	0.32	0.53	S
Insulating Low E II glass - SDL	0.41	2.44	0.28	0.47	S
Insulating Low E II glass - SDL with spacer bars	0.42	2.38	0.28	0.47	S
Insulating Low E II glass - Argon	0.36	2.78	0.31	0.53	NC, SC, S
Insulating Low E II glass - Argon, SDL	0.36	2.78	0.28	0.47	NC, SC, S
Insulating Low E II glass - Argon, SDL with spacer bars	0.37	2.70	0.28	0.47	NC, SC, S
Picture					
Size Tested	48 x 48	48 x 48	48 x 48	48 x 48	
Insulating glass	0.55	1.82	0.59	0.51	-
Insulating glass - SDL	0.54	1.85	0.53	0.55	-
Insulating glass - SDL with spacer bars	0.54	1.85	0.54	0.55	-
Insulating Low E II glass	0.44	2.27	0.33	0.54	S
Insulating Low E II glass - SDL	0.42	2.38	0.30	0.48	S
Insulating Low E II glass - SDL with spacer bars	0.43	2.33	0.30	0.48	S
Insulating Low E II glass - Argon	0.39	2.56	0.33	0.54	NC, SC, S
Insulating Low E II glass - Argon, SDL	0.37	2.70	0.30	0.48	NC, SC, S
Insulating Low E II glass - Argon, SDL with spacer bars	0.38	2.63	0.30	0.48	NC, SC, S

NOTE:

Product Values are determined using the National Fenestration Rating Council (NFRC) Procedures for determining fenestration product values.

U-Value: (Btu/hr-sq ft-°F) Lower the U-Value, the greater the resistance to heat flow and better its insulating value.

R-Value: (1/U-Value) Higher the R-Value, the greater the resistance to heat flow and better its insulating value.

Visible Light Transmittance (VLT): Percentage of visible light transmitted through the unit.

Solar Heat Gain Coefficient (SHGC): The lower a window's SHGC, the less solar heat it transmits, and the greater its shading ability.

Capillary tubes are required for IG units at high elevations. Argon will not be furnished in units with capillary tubes. Contact the Architectural Department Hotline at (800-346-3363) for additional NFRC Unit Values.

Minimum and Maximum Measurements					
Glazing Type	Minimum RO Width	Minimum RO Height	Maximum RO Width	Maximum RO Height	Maximum Glass Square Feet
Operator					
Insulating Glass 3/4"	31 1/4" (794)	18 3/4" (476)	96 1/2" (2451)	72" (1829)	30.2 Sq. feet (2.80 Sq. Meters)
Unit exceeding largest width of 72 1/2" (1842) cannot exceed a 48" (1219) R.O. height					
Triple Sash					
Insulating Glass 3/4"	44 5/8" (1133)	18 3/4" (476)	120 1/2" (3061)	60" (1524)	40.2 Sq. feet (3.73 Sq. Meters)
Center sash will have a standard 46 7/8" (1191) glass width, flankers will be custom					
Picture					
Insulating Glass	18" (457)	18 3/4" (476)	72 1/2" (1842)	72" (1829)	25.0 Sq. feet (2.32 Sq. Meters)
Clad Evergreen units subject to size restrictions contact your Marvin representative					

CLAD GLIDER

EGRESS, LITE & VENT MEASUREMENTS / DESIGN PRESSURE VALUES

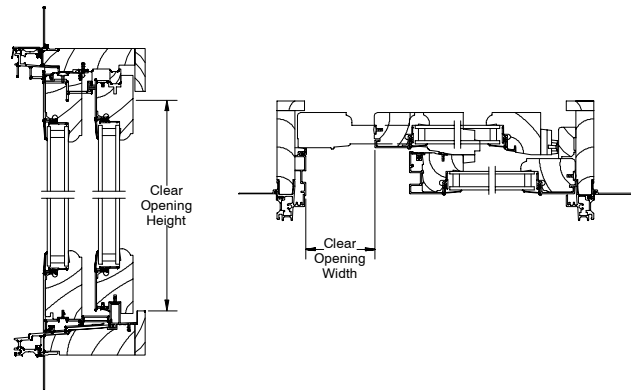
Egress, Lite and Vent Measurements - Glider						
Call #	Total Square Feet	Clear Opening Width	Clear Opening Height	Floor to Sill Height	Vent Opening	Lite (Both Sash)
Egress Openings						
3020	1.99	14.25	20.06	60.38	1.99	3.15
3030	3.17	14.25	32.06	48.38	3.17	5.46
3036	3.77	14.25	38.06	42.38	3.77	6.61
3040	4.36	14.25	44.06	36.38	4.36	7.76
3050	5.55	14.25	56.06	24.38	5.55	10.06
4020	2.82	20.25	20.06	60.38	2.82	4.52
4030	4.51	20.25	32.06	48.38	4.51	7.83
4036	5.35	20.25	38.06	42.38	5.35	9.48
4040*	6.20	20.25	44.06	36.38	6.20	11.13
4050*	7.88	20.25	56.06	24.38	7.88	14.43
5030**	5.84	26.25	32.06	48.38	5.84	10.20
5036*	6.94	26.25	38.06	42.38	6.93	12.35
5040*	8.03	26.25	44.06	36.38	8.03	14.50
5050*	10.22	26.25	56.06	24.38	10.22	18.80
6030**	7.18	32.25	32.06	48.38	7.18	12.56
6036*	8.52	32.25	38.06	42.38	8.52	15.22
6040*	9.87	32.25	44.06	36.38	9.87	17.87
6050*	12.56	32.25	56.06	24.38	12.56	23.17
8030	4.69	21.06	32.06	48.38	9.38	16.87
8036	5.57	21.06	38.06	42.38	11.14	20.43
8040*	6.44	21.06	44.06	36.38	12.88	23.99
8050*	8.20	21.06	56.06	24.38	16.40	31.11

NOTE

* These windows meet national egress codes for fire evacuation. Local codes may differ.

** These windows must be installed lower in the wall to meet the required floor to sill height of 44".

Floor to sill height is based on 6' - 10 1/4" from finished floor to rough opening header. Egress widths represent standard operating hardware.



International Building Code - 2000

Section 1009 Emergency Escape and Rescue

1009.2 Minimum size: Emergency escape and rescue openings shall have a minimum net clear opening of 5.7 square feet (0.53 m²). Exception: The minimum net clear opening for emergency escape and rescue openings on the ground level at grade is 5.0 square feet (0.46 m²).

1009.2.1 Minimum dimensions: The minimum net clear opening height dimension shall be 24 inches (610 mm). The net clear opening width dimension shall be 20 inches (508 mm). The net clear opening dimensions shall be the result of normal operation of the opening.

1009.3 Maximum height from the floor: Emergency escape and rescue opening shall have the bottom of the clear opening not greater than 44 inches (1118 mm) measured from the floor.

1009.4 Operational constraints: Emergency escape and rescue openings shall be operational from the inside of the room without the use of keys or tools. Bars, grilles, grates, or similar devices are permitted to be placed over emergency escape and rescue openings provided the minimum net clear opening size complies with Section 1009.2 and such devices shall be releasable or removable from the inside without the use of a key, tool, or force greater than that which is required for normal operation of the escape and rescue opening.

Code restrictions may vary depending on your local building codes.

Design Pressure Values - Glider				
Call #	30	40	50	60
	Width			
20	DP 35	DP 35	DP 35	DP 35
30	DP 35	DP 35	DP 35	DP 35
36	DP 35	DP 35	DP 35	DP 35
40	DP 35	DP 35	DP 35	DP 35
50	DP 35	DP 35	DP 35	DP 35

NOTE:

Design Pressure values represent Pounds Per Square Foot (PSF). Values indicated represent standard units only. Refer to the Product Performance and Information section for additional information on Design Pressures.

CLAD GLIDER

MEASUREMENT CONVERSIONS

Measurement Conversions - Glider																		
Size Referenced	Daylight Opening (DLO)	Glass Size (GS)	Frame Size	Rough Opening	Masonry Opening (Without Casing)	Masonry Opening (With Brick Mould Casing)	Masonry Opening (With Flat Casing)											
Dimension Needed																		
Daylight Opening (DLO)	Width		+ 1 1/16" (27)	Width		DLO x 2 + 7 7/8" (200)	Width		DLO x 2 + 8 7/8" (225)	Width		DLO x 2 + 8 3/8" (213)	Width		DLO x 2 + 11" (279)	Width		DLO x 2 + 14 3/8" (365)
	Height		+ 1 1/16" (27)	Height		+ 7 1/16" (179)	Height		+ 7 9/16" (192)	Height		+ 7 5/16" (167)	Height		+ 9 1/4" (235)	Height		+ 10 15/16" (278)
Glass Size (GS)	Width	- 1 1/16" (27)			Width	GS x 2 + 5 3/4" (146)	Width		GS x 2 + 6 3/4" (171)	Width		GS x 2 + 6 1/4" (159)	Width		GS x 2 + 8 7/8" (225)	Width		GS x 2 + 12 1/4" (311)
	Height	- 1 1/16" (27)			Height	+ 6" (152)	Height		+ 6 1/2" (165)	Height		+ 6 1/4" (159)	Height		+ 8 3/16" (208)	Height		+ 9 7/8" (251)
Frame Size	Width	- 7 7/8" + 2 (200)	Width	- 5 3/4" + 2 (146)			Width		+ 1" (25)	Width		+ 1/2" (13)	Width		+ 3 1/8" (79)	Width		+ 6 1/2" (165)
	Height	- 7 1/16" (179)	Height	- 6" (152)			Height		+ 1/2" (13)	Height		+ 1/4" (6)	Height		+ 2 3/16" (56)	Height		+ 3 7/8" (83)
Rough Opening	Width	- 8 7/8" + 2 (225)	Width	- 6 3/4" + 2 (171)	Width	- 1" (25)			Width		- 1/2" (13)	Width		+ 2 1/8" (54)	Width		+ 5 1/2" (140)	
	Height	- 7 9/16" (192)	Height	- 6 1/2" (165)	Height	- 1/2" (13)			Height		- 1/4" (6)	Height		+ 1 11/16" (43)	Height		+ 3 3/8" (86)	
Masonry Opening (Without Casing)	Width	- 8 3/8" + 2 (213)	Width	- 6 1/4" + 2 (159)	Width	- 1/2" (13)	Width		+ 1/2" (13)			Width		+ 2 5/8" (67)	Width		+ 6" (152)	
	Height	- 7 5/16" (186)	Height	- 6 1/4" (159)	Height	- 1/4" (6)	Height		+ 1/4" (6)			Height		+ 1 15/16" (49)	Height		+ 3 5/8" (92)	
Masonry Opening (With Brick Mould Casing)	Width	- 11" + 2 (279)	Width	- 8 7/8" + 2 (225)	Width	- 3 1/8" (79)	Width		- 2 1/8" (54)	Width		- 2 5/8" (67)			Width		+ 3 3/8" (86)	
	Height	- 9 1/4" (235)	Height	- 8 3/16" (208)	Height	- 2 3/16" (56)	Height		- 1 11/16" (43)	Height		- 1 15/16" (49)			Height		+ 1 11/16" (43)	
Masonry Opening (With Flat Casing)	Width	- 14 3/8" + 2 (365)	Width	- 12 1/4" + 2 (311)	Width	- 6 1/2" (165)	Width		- 5 1/2" (140)	Width		- 6" (152)	Width		- 3 3/8" (86)			
	Height	- 10 15/16" (278)	Height	- 9 7/8" (251)	Height	- 3 7/8" (98)	Height		- 3 3/8" (73)	Height		- 3 5/8" (92)	Height		- 1 11/16" (43)			

NOTE:
Conversions represent units without dividers. Contact Marvin's for additional conversions.

Egress Conversions

Glass Size Width - 5/8" (16) Glass Size Height: + 2 9/16" (65)
Rough Opening Width / 2 - 4" (102) Rough Opening Height: - 3 15/16" (100)

CLAD GLIDER

MEASUREMENT CONVERSIONS

Measurement Conversions - Picture														
Size Referenced	Daylight Opening	Glass Size		Frame Size		Rough Opening		Masonry Opening (Without Casing)		Masonry Opening (With Brick Mould Casing)		Masonry Opening (With Flat Casing)		
Dimension Needed														
Daylight Opening			Width	+ 1 1/16" (27)	Width	+ 5 25/32" (145)	Width	+ 6 25/32" (172)	Width	+ 6 9/32" (160)	Width	+ 8 29/32" (226)	Width	+ 12 9/32" (312)
			Height	+ 1 1/16" (27)	Height	+ 7 1/16" (179)	Height	+ 7 9/16" (192)	Height	+ 7 5/16" (167)	Height	+ 9 1/4" (235)	Height	+ 10 15/16" (278)
Glass Size	Width	- 1 1/16" (27)			Width	+ 4 23/32" (120)	Width	+ 5 23/32" (145)	Width	+ 5 7/32" (133)	Width	+ 7 27/32" (199)	Width	+ 11 7/32" (285)
	Height	- 1 1/16" (27)			Height	+ 6" (152)	Height	+ 6 1/2" (165)	Height	+ 6 1/4" (159)	Height	+ 8 3/16" (208)	Height	+ 9 7/8" (251)
Frame Size	Width	- 5 25/32" (145)	Width	- 4 23/32" (120)			Width	+ 1" (25)	Width	+ 1/2" (13)	Width	+ 3 1/8" (79)	Width	+ 6 1/2" (165)
	Height	- 7 1/16" (179)	Height	- 6" (152)			Height	+ 1/2" (13)	Height	+ 1/4" (6)	Height	+ 2 3/16" (56)	Height	+ 3 7/8" (83)
Rough Opening	Width	- 6 25/32" (172)	Width	- 5 23/32" (145)	Width	- 1" (25)			Width	- 1/2" (13)	Width	+ 2 1/8" (54)	Width	+ 5 1/2" (140)
	Height	- 7 9/16" (192)	Height	- 6 1/2" (165)	Height	- 1/2" (13)			Height	- 1/4" (6)	Height	+ 1 11/16" (43)	Height	+ 3 3/8" (86)
Masonry Opening (Without Casing)	Width	- 6 9/32" (160)	Width	- 5 7/32" (133)	Width	- 1/2" (13)	Width	+ 1/2" (13)			Width	+ 2 5/8" (67)	Width	+ 6" (152)
	Height	- 7 5/16" (186)	Height	- 6 1/4" (159)	Height	- 1/4" (6)	Height	+ 1/4" (6)			Height	+ 1 15/16" (49)	Height	+ 3 5/8" (92)
Masonry Opening (With Brick Mould Casing)	Width	- 8 29/32" (235)	Width	- 7 27/32" (199)	Width	- 3 1/8" (79)	Width	- 2 1/8" (54)	Width	- 2 5/8" (67)			Width	+ 3 3/8" (86)
	Height	- 9 1/4" (235)	Height	- 8 3/16" (208)	Height	- 2 3/16" (56)	Height	- 1 11/16" (43)	Height	- 1 15/16" (49)			Height	+ 1 11/16" (43)
Masonry Opening (With Flat Casing)	Width	- 12 9/32" (312)	Width	- 11 7/32" (285)	Width	- 6 1/2" (165)	Width	- 5 1/2" (140)	Width	- 6" (152)	Width	- 3 3/8" (86)		
	Height	- 10 15/16" (278)	Height	- 9 7/8" (251)	Height	- 3 7/8" (98)	Height	- 3 3/8" (73)	Height	- 3 5/8" (92)	Height	- 1 11/16" (43)		

NOTE:
Conversions represent units without dividers. Contact Marvin's for additional conversions.

CLAD GLIDER

MEASUREMENT CONVERSIONS

Measurement Conversions - Triple Sash																		
Size Referenced	Daylight Opening (DLO)	Glass Size (GS)	Frame Size	Rough Opening	Masonry Opening (Without Casing)	Masonry Opening (With Brick Mould Casing)	Masonry Opening (With Flat Casing)											
Dimension Needed																		
Daylight Opening (DLO)	Width		+ 1 1/16" (27)	Width		ALL DLO'S + 10 1/16" (256)	Width		ALL DLO'S + 11 1/16" (281)	Width		ALL DLO'S + 10 9/16" (268)	Width		ALL DLO'S + 13 3/16" (335)	Width		ALL DLO'S + 16 9/16" (167)
	Height		+ 1 1/16" (27)	Height		+ 7 1/16" (179)	Height		+ 7 9/16" (192)	Height		+ 7 5/16" (167)	Height		+ 9 1/4" (235)	Height		+ 10 15/16" (278)
Glass Size (GS)	Width	- 1 1/16" (27)			Width	ALL GS + 6 7/8" (175)	Width		ALL GS + 7 7/8" (200)	Width		ALL GS + 7 3/8" (187)	Width		ALL GS + 10" (254)	Width		ALL GS + 13 3/8" (340)
	Height	- 1 1/16" (27)			Height	+ 6" (152)	Height		+ 6 1/2" (165)	Height		+ 6 1/4" (159)	Height		+ 8 3/16" (208)	Height		+ 9 7/8" (251)
Frame Size	Width	- 10 1/16" (256)*	Width	- 6 7/8" (175)*			Width		+ 1" (25)	Width		+ 1/2" (13)	Width		+ 3 1/8" (79)	Width		+ 6 1/2" (165)
	Height	- 7 1/16" (179)	Height	- 6" (152)			Height		+ 1/2" (13)	Height		+ 1/4" (6)	Height		+ 2 3/16" (56)	Height		+ 3 7/8" (83)
Rough Opening	Width	- 11 1/16" (281)*	Width	- 7 7/8" (200)*	Width	- 1" (25)			Width		- 1/2" (13)	Width		+ 2 1/8" (54)	Width		+ 5 1/2" (140)	
	Height	- 7 9/16" (192)	Height	- 6 1/2" (165)	Height	- 1/2" (13)			Height		- 1/4" (6)	Height		+ 1 11/16" (43)	Height		+ 3 3/8" (86)	
Masonry Opening (Without Casing)	Width	- 10 9/16" (268)*	Width	- 7 3/8" (187)*	Width	- 1/2" (13)	Width		+ 1/2" (13)			Width		+ 2 5/8" (67)	Width		+ 6" (152)	
	Height	- 7 5/16" (186)	Height	- 6 1/4" (159)	Height	- 1/4" (6)	Height		+ 1/4" (6)			Height		+ 1 15/16" (49)	Height		+ 3 5/8" (92)	
Masonry Opening (With Brick Mould Casing)	Width	- 13 3/16" (335)*	Width	- 10" (254)*	Width	- 3 1/8" (79)	Width		- 2 1/8" (54)	Width		- 2 5/8" (67)			Width		+ 3 3/8" (86)	
	Height	- 9 1/4" (235)	Height	- 8 3/16" (208)	Height	- 2 3/16" (56)	Height		- 1 11/16" (43)	Height		- 1 15/16" (49)			Height		+ 1 11/16" (43)	
Masonry Opening (With Flat Casing)	Width	- 16 9/16" (421)*	Width	- 13 3/8" (340)*	Width	- 6 1/2" (165)	Width		- 5 1/2" (140)	Width		- 6" (152)	Width		- 3 3/8" (86)			
	Height	- 10 15/16" (278)	Height	- 9 7/8" (251)	Height	- 3 7/8" (98)	Height		- 3 3/8" (73)	Height		- 3 5/8" (92)	Height		- 1 11/16" (43)			

NOTE:

Conversions represent units without dividers. Contact Marvin's for additional conversions.

* Triple Sash Glider standard glass size on flankers is 20 7/8" (530). Maximum glass size on Center Sash is 46 7/8" (1191)

If measurements are different, contact your Marvin Architectural Department.

CLAD GLIDER

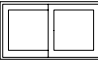
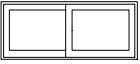








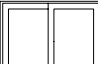







ELEVATIONS: OPERATING / TRIPLE SASH / PICTURE

NOT TO SCALE

CAUTION: It is recommended that a minimum of 1/4" be added to the rough opening height when using a rigid sill pan product such as Marvin SillGuard™.

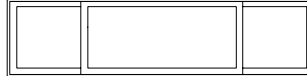
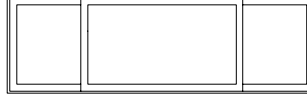


Glider

Mas. Opp.	3-0 (914)	4-0 (1219)	5-0 (1524)	6-0 (1829)
Rgh. Opp.	3-0 1/2 (927)	4-0 1/2 (1232)	5-0 1/2 (1537)	6-0 1/2 (1842)
Frame Size	2-11 1/2 (902)	3-11 1/2 (1207)	4-11 1/2 (1511)	5-11 1/2 (1816)
Glass Size	14 7/8" (378)	20 7/8" (530)	26 7/8" (683)	32 7/8" (835)

1-11 3/4 (603) 2-0 (610) 2-0 (610) 1-11 1/2 (597) 17 1/2" (445)				
2-11 3/4 (908) 3-0 (914) 2-11 1/2 (902) 29 1/2" (749)				
3-5 3/4 (1060) 3-6 (1067) 3-5 1/2 (1054) 35 1/2" (902)				
3-11 3/4 (1213) 4-0 (1219) 3-11 1/2 (1207) 41 1/2" (1054)				
4-11 3/4 (1518) 5-0 (1524) 4-11 1/2 (1511) 53 1/2" (1359)				




















Triple Sash

8-0 (2438)	
8-0 1/2 (2451)	
7-11 1/2 (2426)	
20 7/8" (530)	46 7/8" (1191) 20 7/8" (530)

Glider Picture

Mas. Opp.	3-0 (914)	4-0 (1219)	5-0 (1524)	6-0 (1829)
Rgh. Opp.	3-0 1/2 (927)	4-0 1/2 (1232)	5-0 1/2 (1537)	6-0 1/2 (1842)
Frame Size	2-11 1/2 (902)	3-11 1/2 (1207)	4-11 1/2 (1511)	5-11 1/2 (1816)
Glass Size	30 3/4" (781)	42 3/4" (1086)	54 3/4" (1391)	66 3/4" (1695)

1-11 3/4 (603) 2-0 (610) 2-0 (610) 1-11 1/2 (597) 17 1/2" (445)				
2-11 3/4 (908) 3-0 (914) 2-11 1/2 (902) 29 1/2" (749)				
3-5 3/4 (1060) 3-6 (1067) 3-5 1/2 (1054) 35 1/2" (902)				
3-11 3/4 (1213) 4-0 (1219) 3-11 1/2 (1207) 41 1/2" (1054)				
4-11 3/4 (1518) 5-0 (1524) 4-11 1/2 (1511) 53 1/2" (1359)				

NOTE:

* These units meet national egress codes for fire evacuation. Local codes may differ.

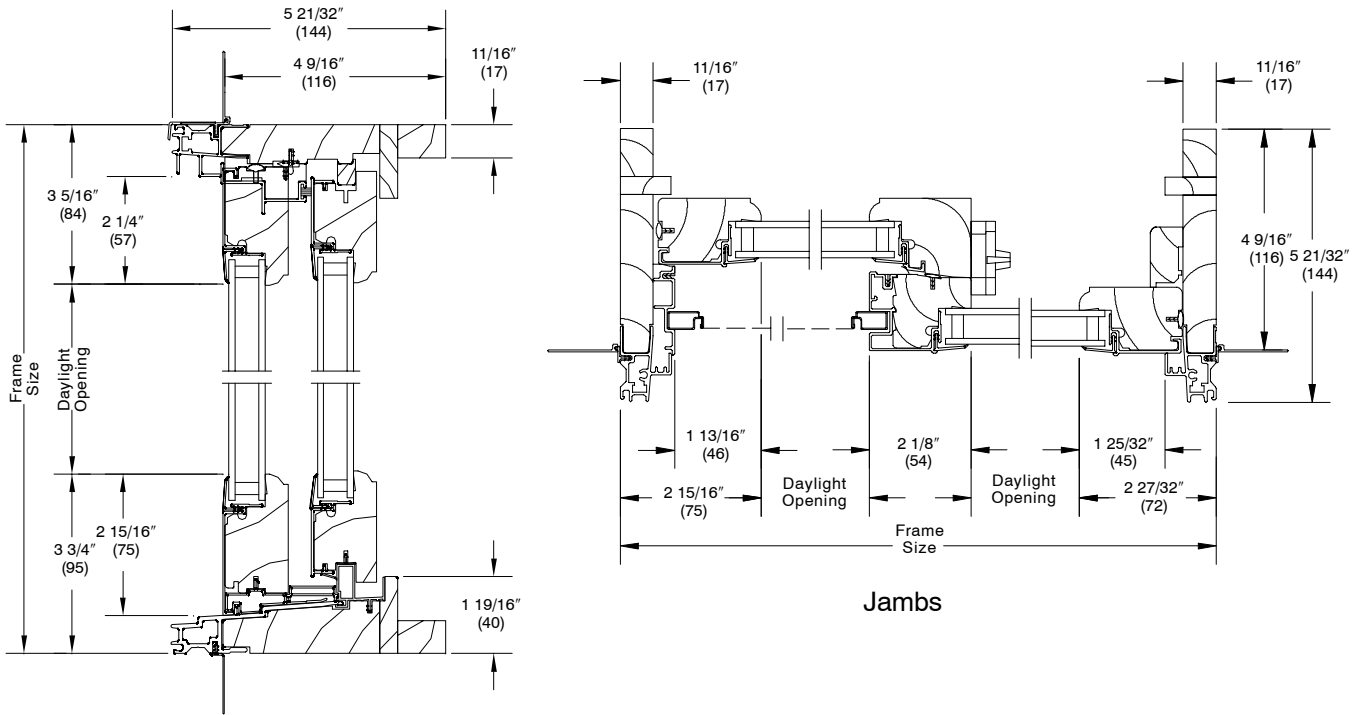
** These windows must be installed lower in the wall to meet the required floor to sill height of 44".

CLAD GLIDER

SECTION DETAILS: OPERATING / TRIPLE SASH

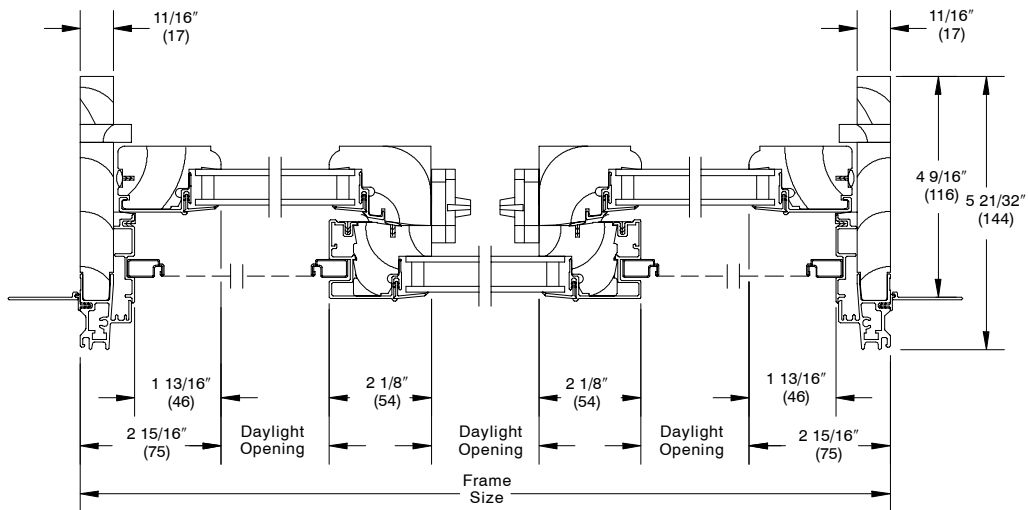
SCALE: 3" = 1' 0"

Operating



Head Jamb and Sill

Triple Sash



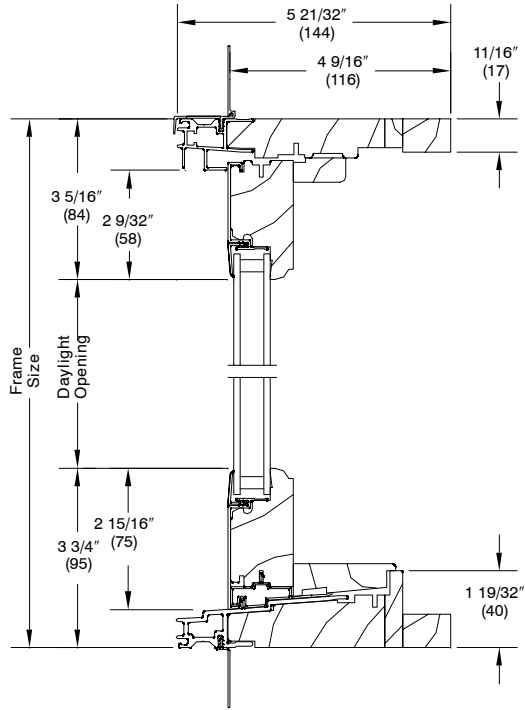
Jamb

CLAD GLIDER

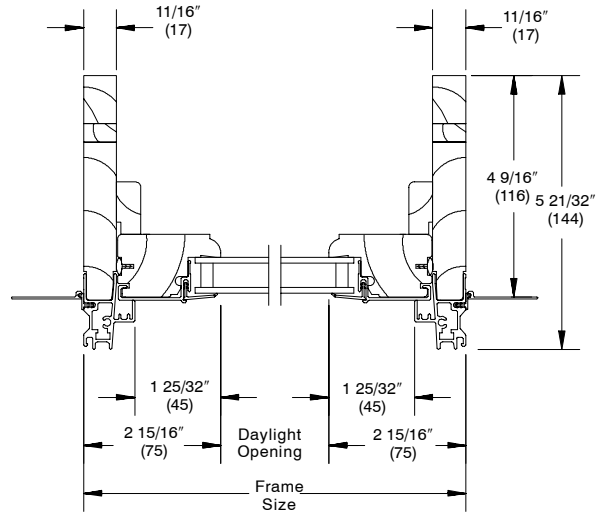
SECTION DETAILS: PICTURE / CASINGS

SCALE: 3" = 1' 0"

Picture

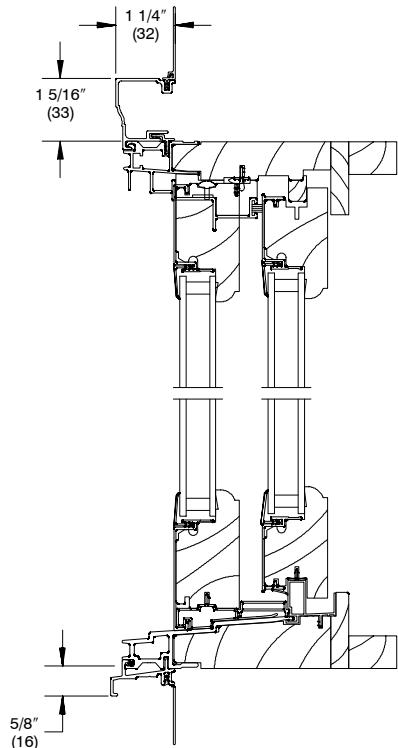


Head Jamb and Sill

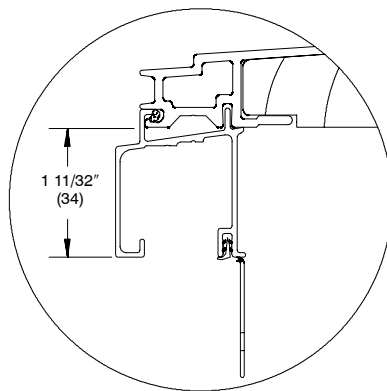


Jamb

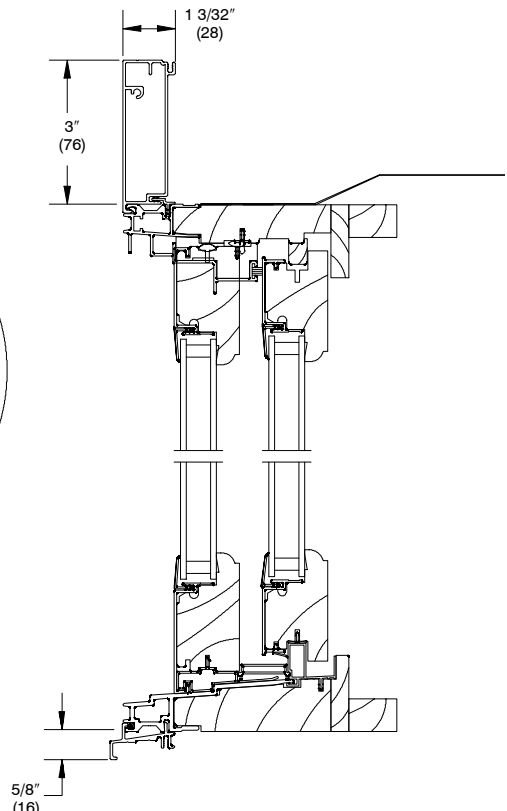
Casing Options



Head Jamb and Sill
with Clad Brick Mould Casing



Sill with 2"
extruded subsill



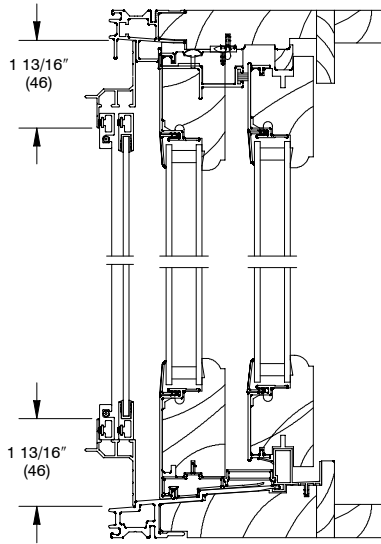
Head Jamb and Sill
with Clad Flat Casing

CLAD GLIDER

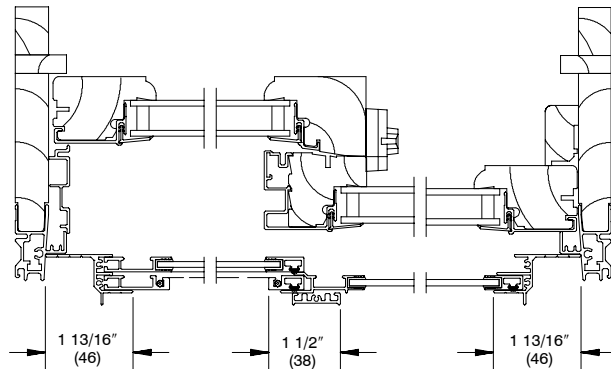
SECTION DETAILS: COMBINATION / MULLIONS

SCALE: 3" = 1' 0"

Combination

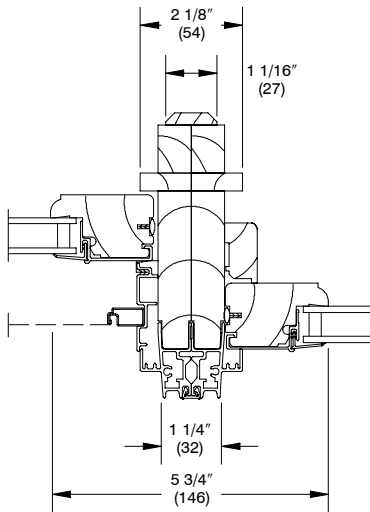


Head Jamb and Sill

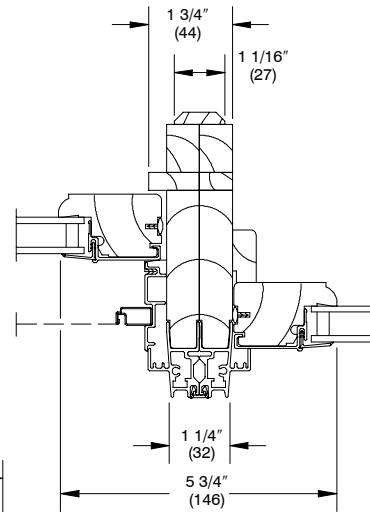


Jamb

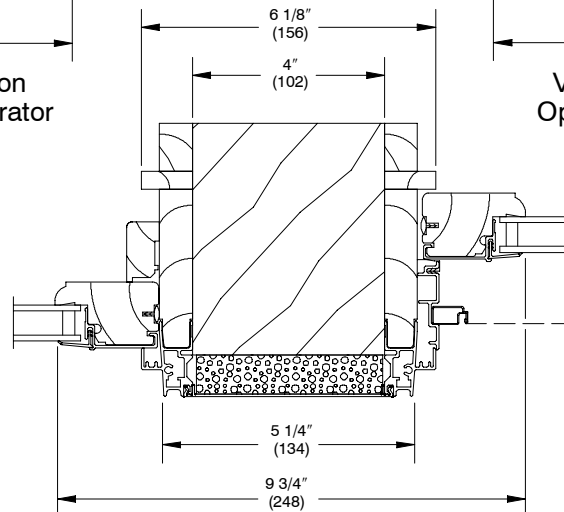
Mullions



Vertical Mullion
Operator / Operator



Vertical Mullion
Operator / Picture



Vertical Mullion
Operator with 4" Space Mull

NOTE:

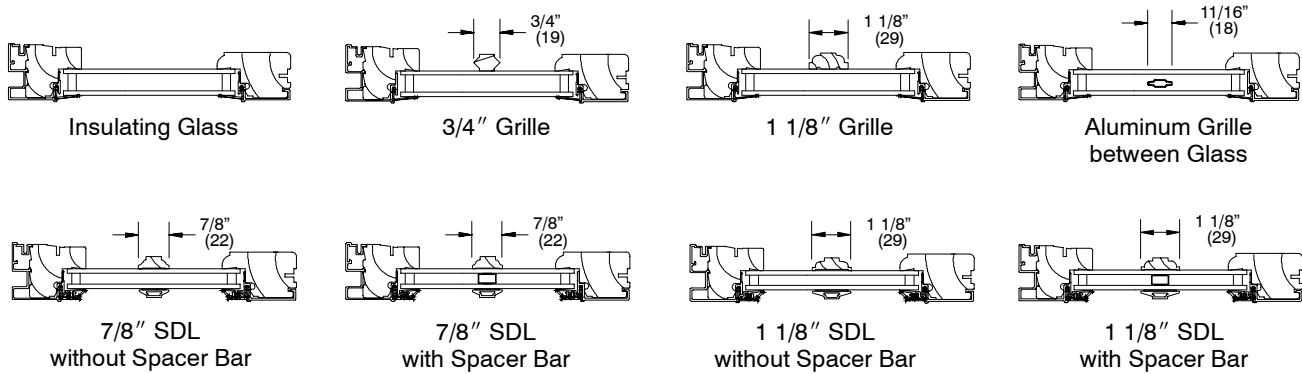
For information on structural mullions refer to the Product Performance and Information section.

CLAD GLIDER

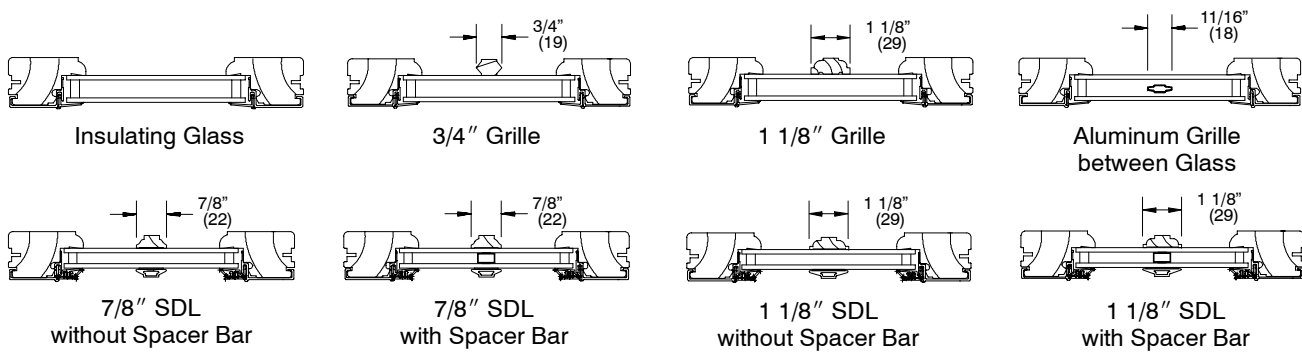
SECTION DETAILS: DIVIDED LITE OPTIONS

NOT TO SCALE

Insulating Glass



Picture



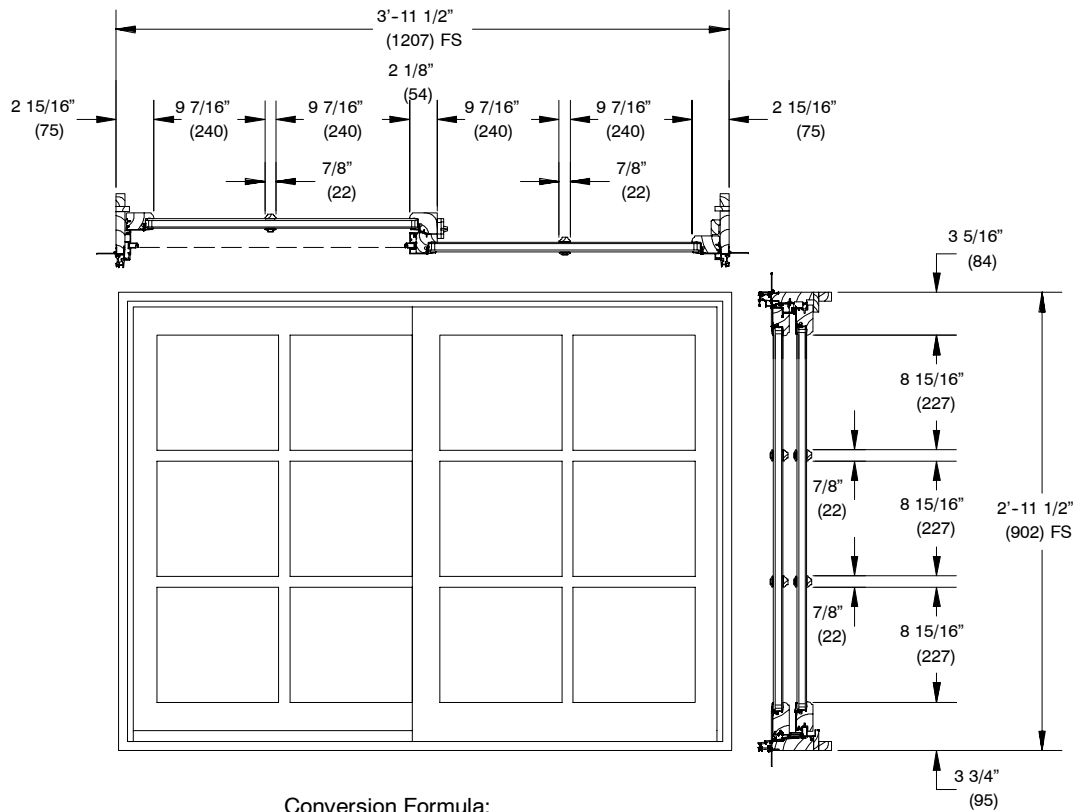
NOTE:

Grille = Removable interior divider
SDL = Simulated divided lite

CLAD GLIDER

RECTANGULAR DAYLIGHT OPENING CALCULATIONS

NOT TO SCALE



Conversion Formula:

$$\frac{\text{DLO} - \text{Total Bar Width}}{\text{Number of Lites}} = \text{Individual DLO}$$

NOTE:

For additional information on individual daylight openings please contact your Marvin representative.

CLAD GLIDER

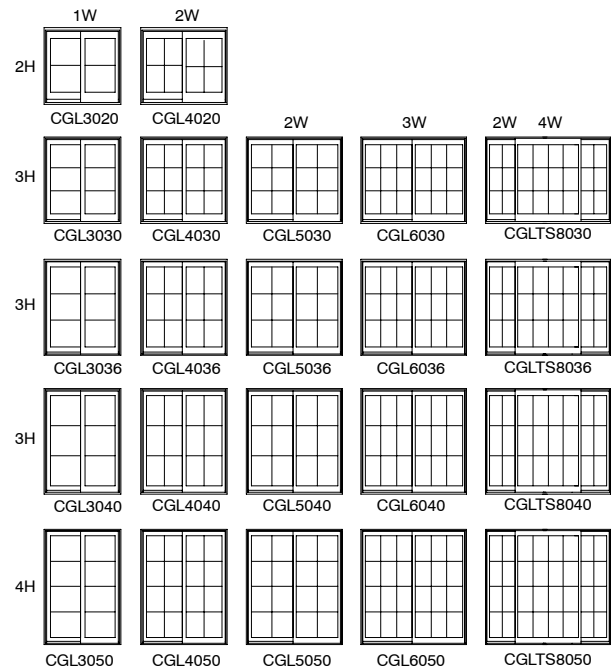
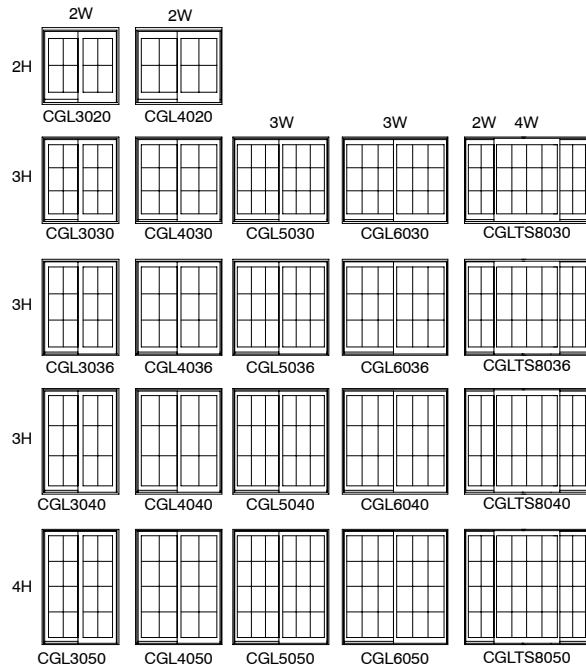
STANDARD RECTANGULAR DIVIDED LITE PATTERNS

NOT TO SCALE

Operator

3/4" Grille
7/8" Simulated Divided Lite (SDL)

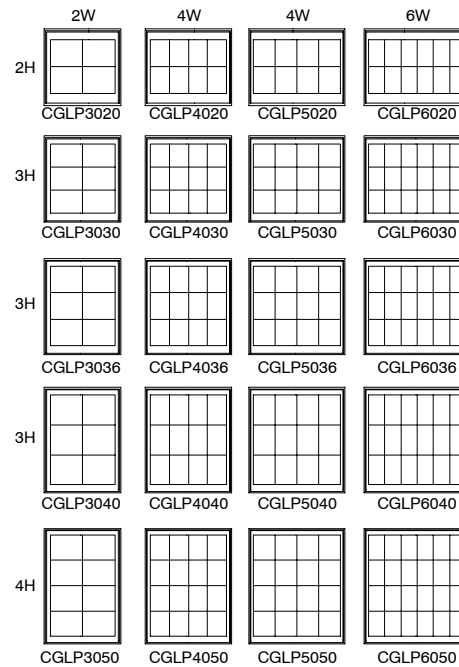
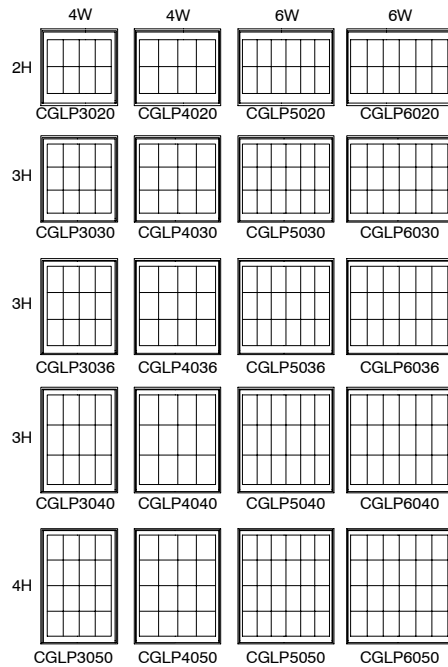
1 1/8" (19) Grille
1 1/8" (43) Simulated Divided Lite (SDL)



Picture

3/4" Grille
7/8" Simulated Divided Lite (SDL)

1 1/8" (19) Grille
1 1/8" (43) Simulated Divided Lite (SDL)



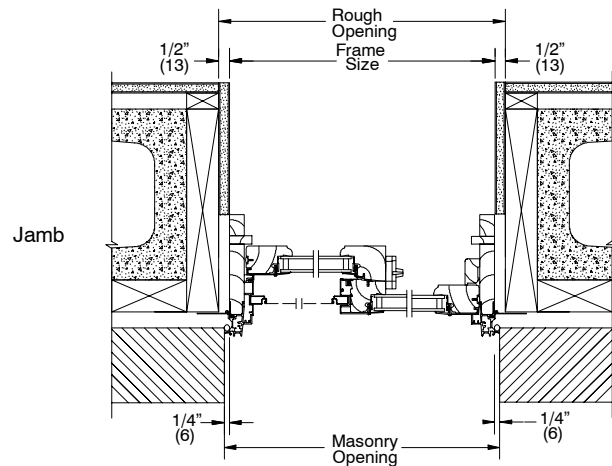
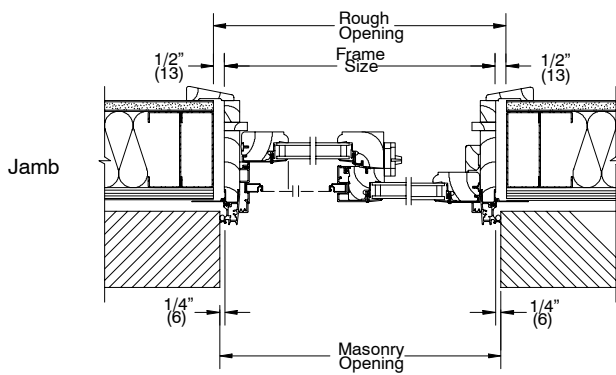
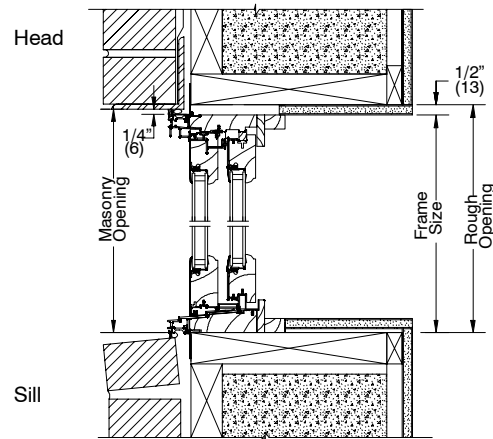
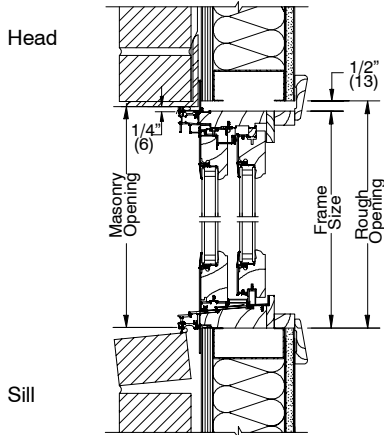
NOTE:

Lite pattern identifications are shown at the top of each column and to the left of each row.
Height patterns indicated as 1H represent a 1 high lite pattern.
Width patterns indicated as 2W represent a 2 wide lite pattern.
Patterns vary depending on size of unit and type of divider.

CLAD GLIDER

SECTION DETAILS: CONSTRUCTION

NOT TO SCALE



Brick Veneer with Steel Stud Construction

Brick Veneer with Concrete Block Construction

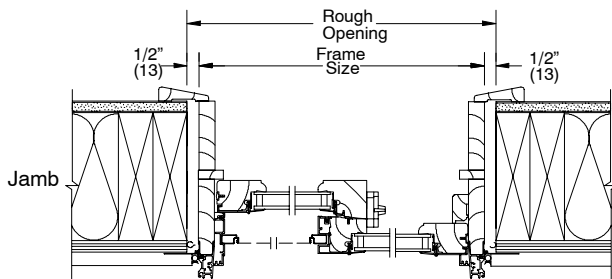
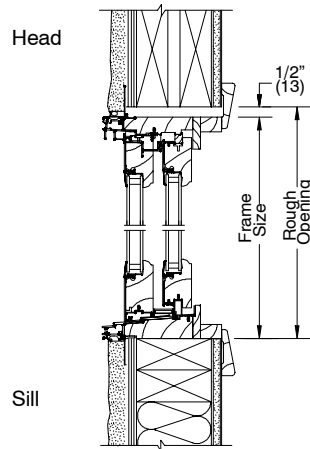
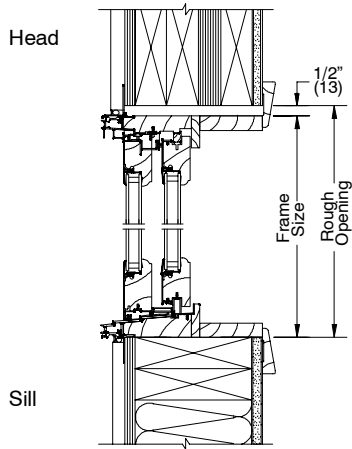
NOTE:

The above wall sections represent typical wall conditions, these details are not intended as installation instructions. Please refer to the installation instructions provided with the purchased units.

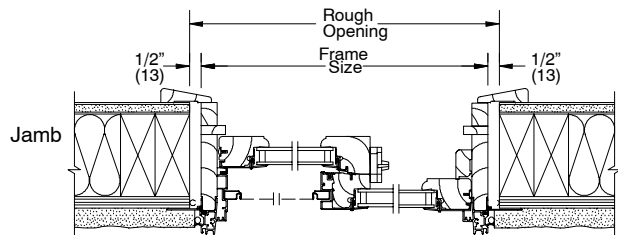
CLAD GLIDER

SECTION DETAILS: CONSTRUCTION

NOT TO SCALE



Wood Siding with 2x6
 Frame Construction



Stucco with 2x4
 Frame Construction

NOTE:

The above wall sections represent typical wall conditions, these details are not intended as installation instructions. Please refer to the installation instructions provided with the purchased units.